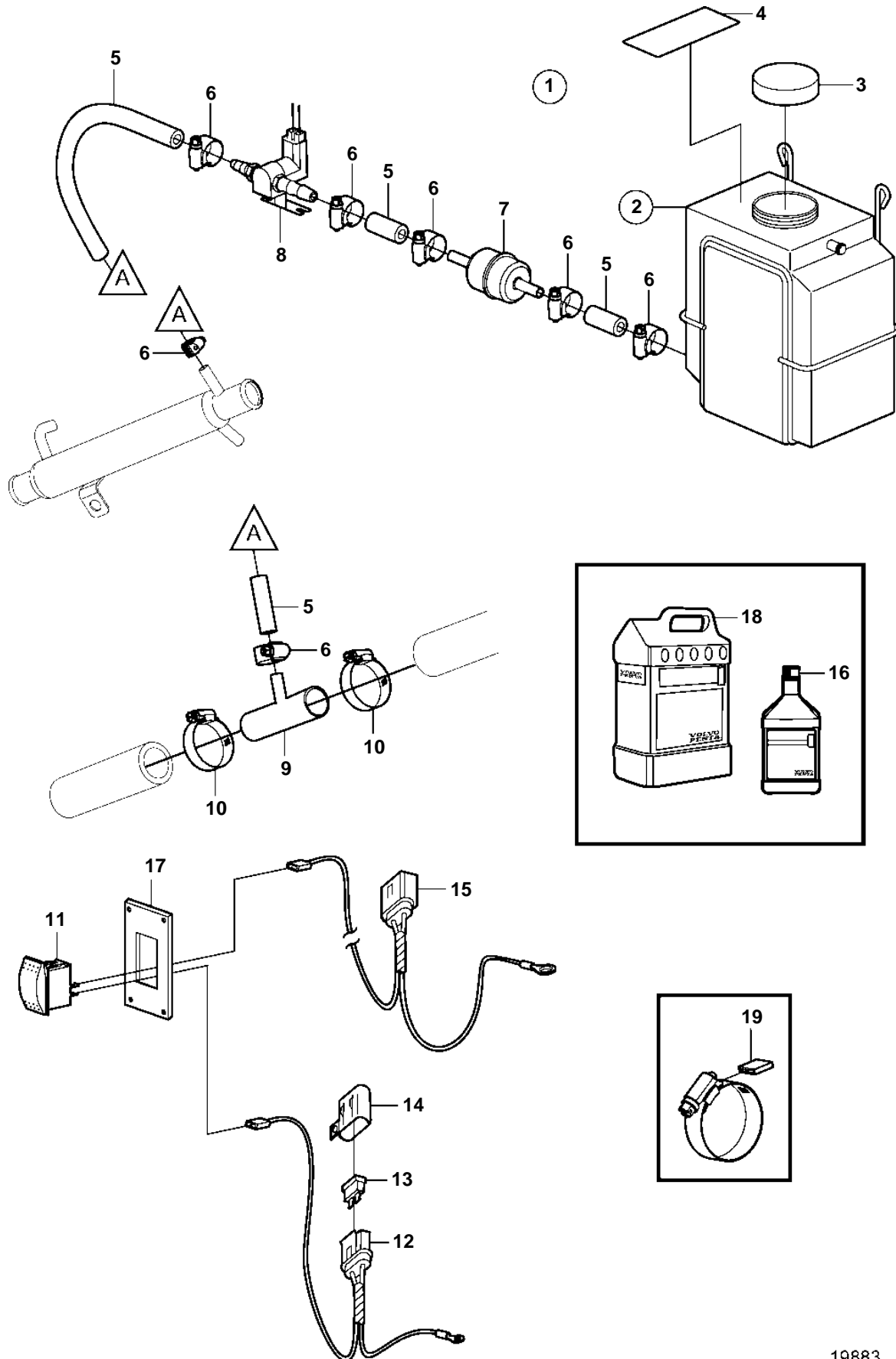


5.0GXi-E, 5.0GXi-EF



5.0GXi-E, 5.0GXi-EF

| REF | PART NO. | QTY | DESCRIPTION | NOTES |
|-----|----------|-----|----------------------|-------------------|
| 1 | 41103100 | 1 | Cleaner kit | |
| 2 | 3862039 | 1 | • Tank | |
| 3 | 3858990 | 1 | • • Cap | |
| 4 | 7741899 | 1 | • Decal | |
| 5 | | 1 | • Hose | CUT |
| 6 | 3853794 | 6 | • Clamp | |
| 7 | 3587530 | 1 | • Filter | |
| 8 | 3862492 | 1 | • Solenoid valve | |
| 9 | 3861961 | 1 | • T-pipe | |
| 10 | 3853786 | 2 | • Clamp | |
| 11 | 3862491 | 1 | • Switch | |
| 12 | 3862489 | 1 | • Wiring harness | |
| 13 | 983966 | 1 | • • Fuse | |
| 14 | 8072808 | 1 | • • Cover | |
| 15 | 3862890 | 1 | • Wiring harness | |
| 16 | 41103103 | X | • Neutralizing agent | 1 QUART (946ml) |
| 17 | 3862899 | 1 | • Switch plate | BLACK |
| | 3862898 | X | Switch plate | WHITE |
| | 3862900 | X | Switch plate | WOODGRAIN |
| 18 | 41103102 | X | Neutralizing agent | 1 GALLON (3.78L) |
| 19 | 3858532 | X | Cover | W=0.465" (11.8mm) |
| | 3861999 | X | Cover | W=0.300" (7.6mm) |