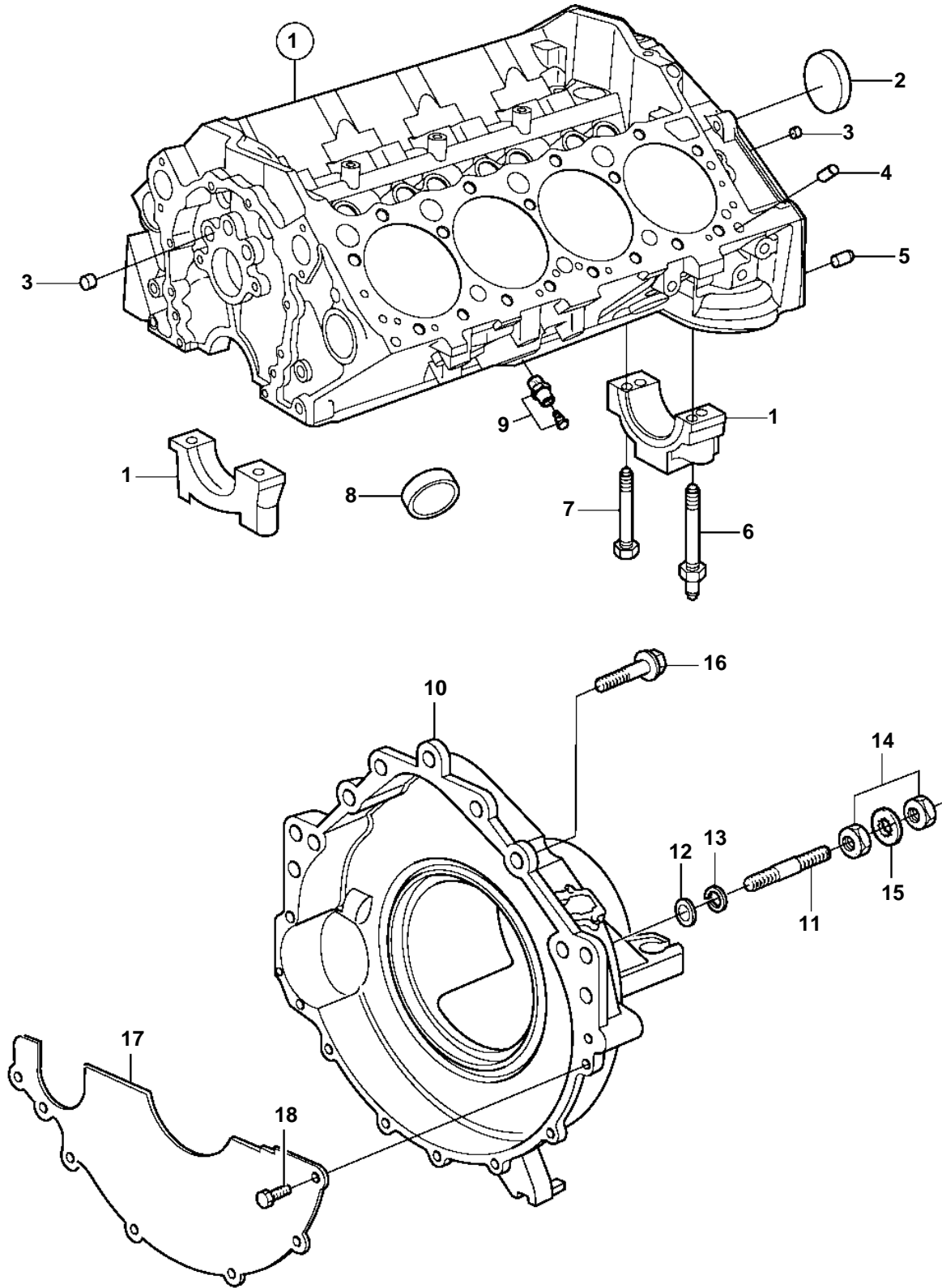


5.0GL-F



5.0GL-F

REF	PART NO.	QTY	DESCRIPTION	NOTES
1			Cylinder block	
2	3853209	1	Core plug	
3	952075	X	Plug	
4	3853114	4	Locating pin, cylinder head	
5	3856001	2	Pin, flywheel housing	
6	3862354	6	Stud	
7	3862355	10	Screw	
8	3852100	8	Core plug	
9	3854494	X	Drain cock	
10	3807905	1	Flywheel housing	
11	3850571	2	Stud	
12	980933	2	Washer	
13	3852002	2	Lock washer	
14	3852065	4	Nut	
15	3852070	4	Washer	
16	3860163	1	Screw	L=1.00" (25mm)
	3860582	3	Screw	L=32mm
17	3854604	1	Cover	
18	3852421	4	Screw	