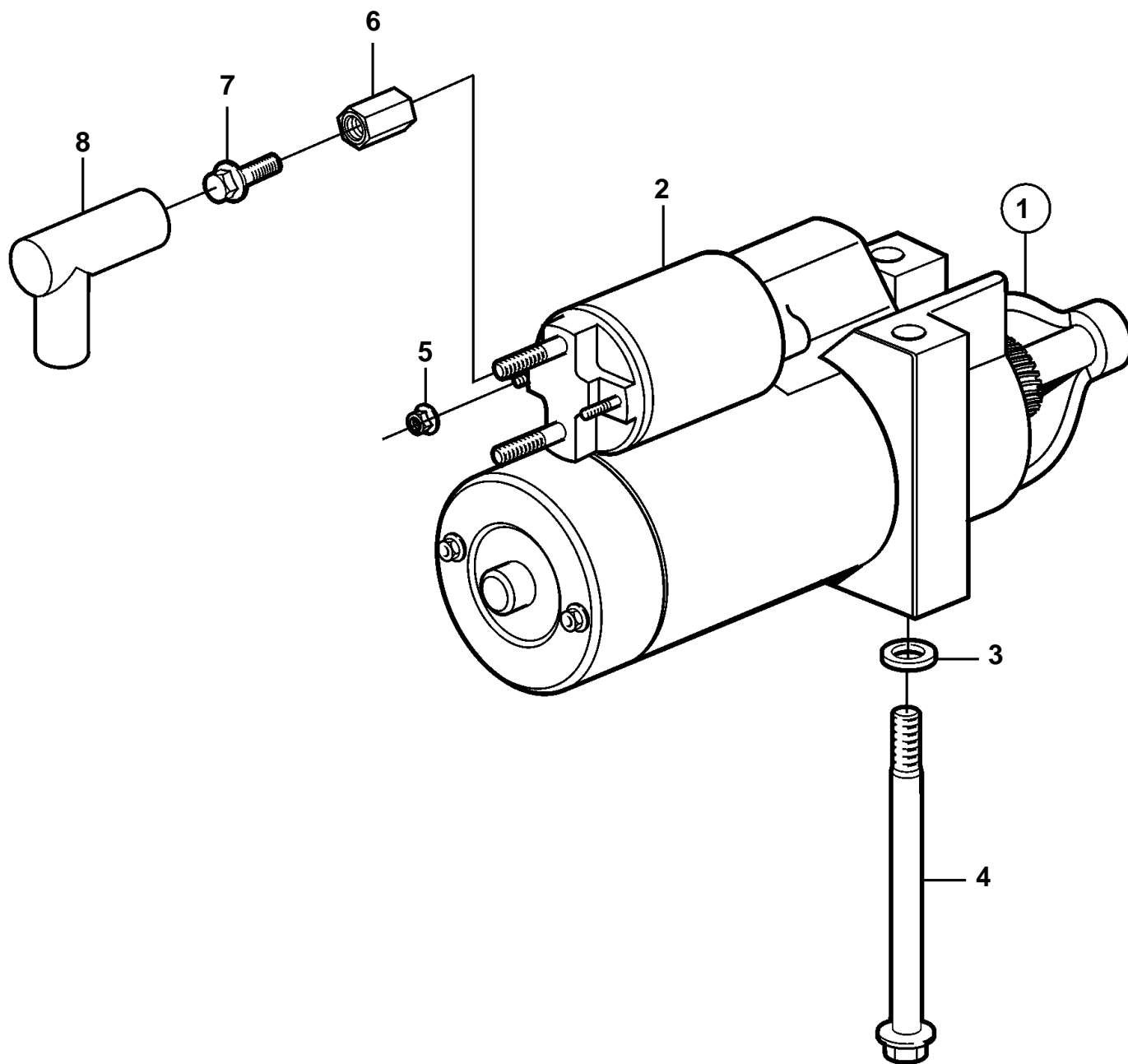


5.0GL-F, 5.0GL-FF



20931

5.0GL-F, 5.0GL-FF

REF	PART NO.	QTY	DESCRIPTION
1	3587625		Starter motor
2	3810300	1	Solenoid kit
3	3854496	2	Washer
4	3854752	2	Screw
5	949874	2	Lock nut
6	855314	1	Nut
7	947107	1	Flange screw
8	855798	1	Protecting sleeve