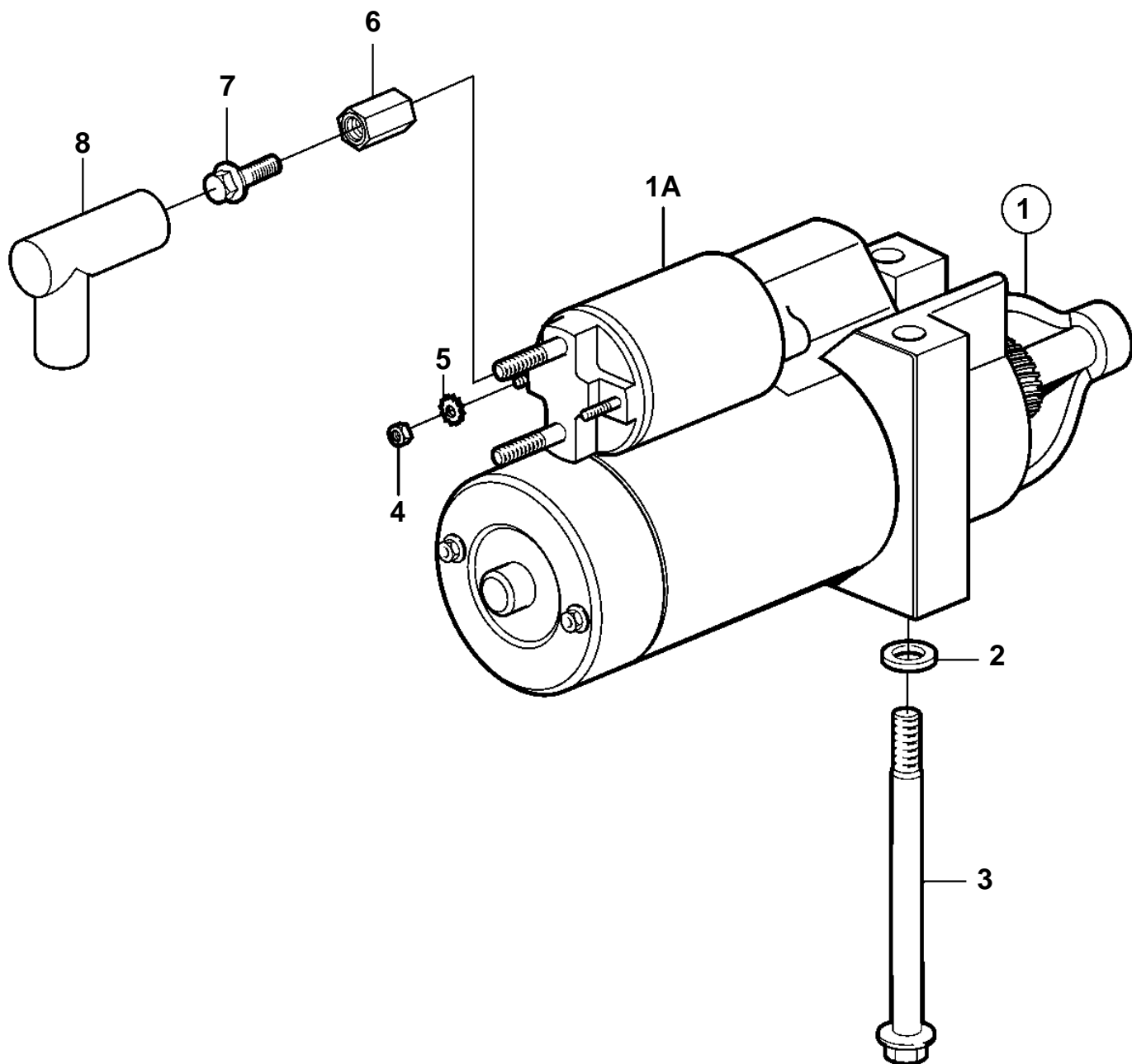


5.0GL-A, 5.0GL-B, 5.0GL-C, 5.0GL-D, 5.7GL-A, 5.7GL-B, 5.7GL-C, 5.7GL-D



5.0GL-A, 5.0GL-B, 5.0GL-C, 5.0GL-D, 5.7GL-A, 5.7GL-B, 5.7GL-C, 5.7GL-D

REF	PART NO.	QTY	DESCRIPTION
1	3860566	1	Starter motor
1A	3810300	1	• Solenoid kit
2	3854496	2	Washer
3	3854752	2	Screw
4	3852518	2	Nut
5	3852520	2	Washer
6	855314	1	Nut
7	947107	1	Flange screw
8	855798	1	Protecting sleeve

