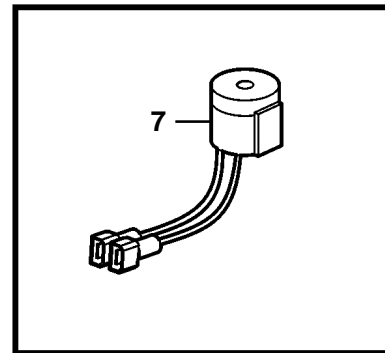
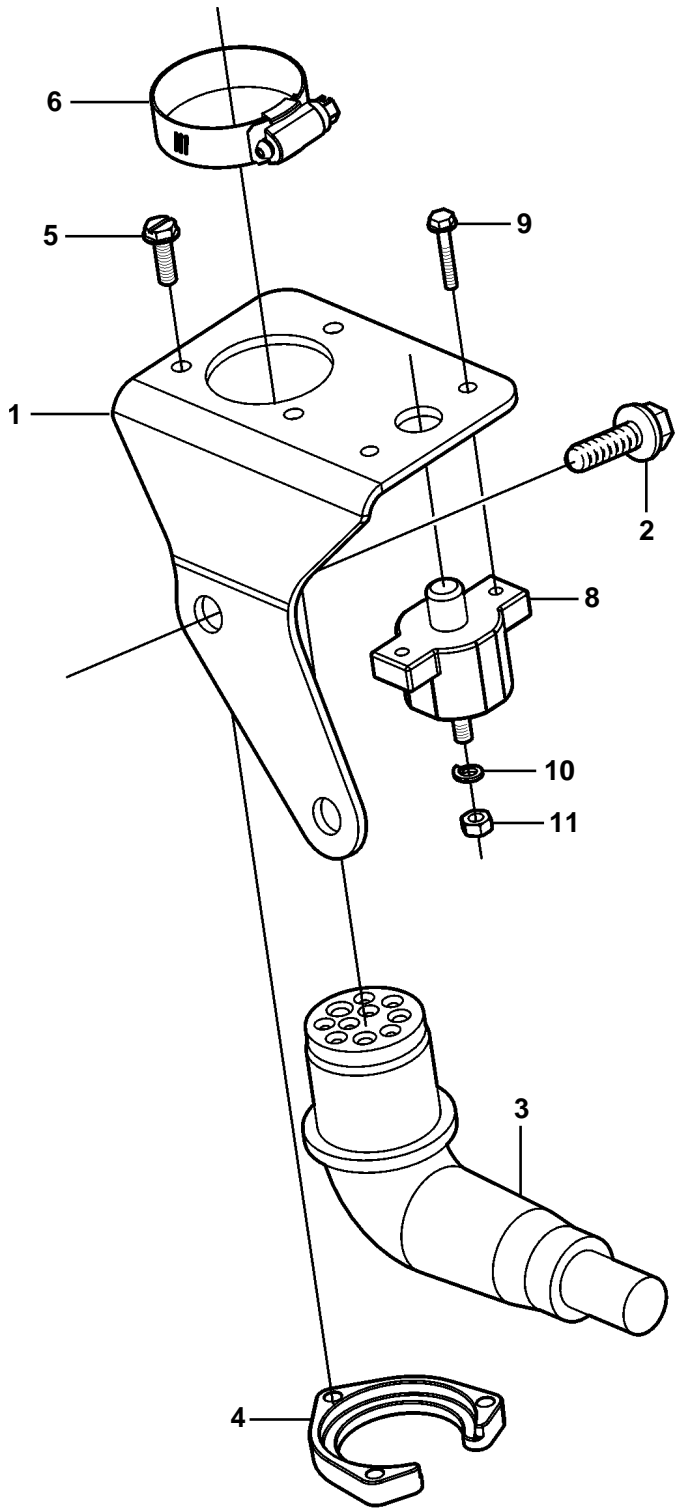


5.0GL-E, 5.7GL-E



5.0GL-E, 5.7GL-E

| REF | PART NO. | QTY | DESCRIPTION | NOTES |
|-----|----------|-----|---------------|----------------------|
| 1 | 3862583 | 1 | Bracket | |
| 2 | 3853419 | 2 | Screw | |
| 3 | 3863293 | 1 | Cable harness | |
| 4 | 3852825 | 1 | Retainer | |
| 5 | 3852208 | 3 | Screw | |
| 6 | 3863440 | 1 | Clamp | |
| 7 | 3863454 | 1 | Alarm | Mounted at the helm. |
| 8 | 3854164 | 1 | Breaker | |
| 9 | 3853620 | 2 | Screw | |
| 10 | 3852001 | 2 | Lock washer | |
| 11 | 3852064 | 2 | Nut | |