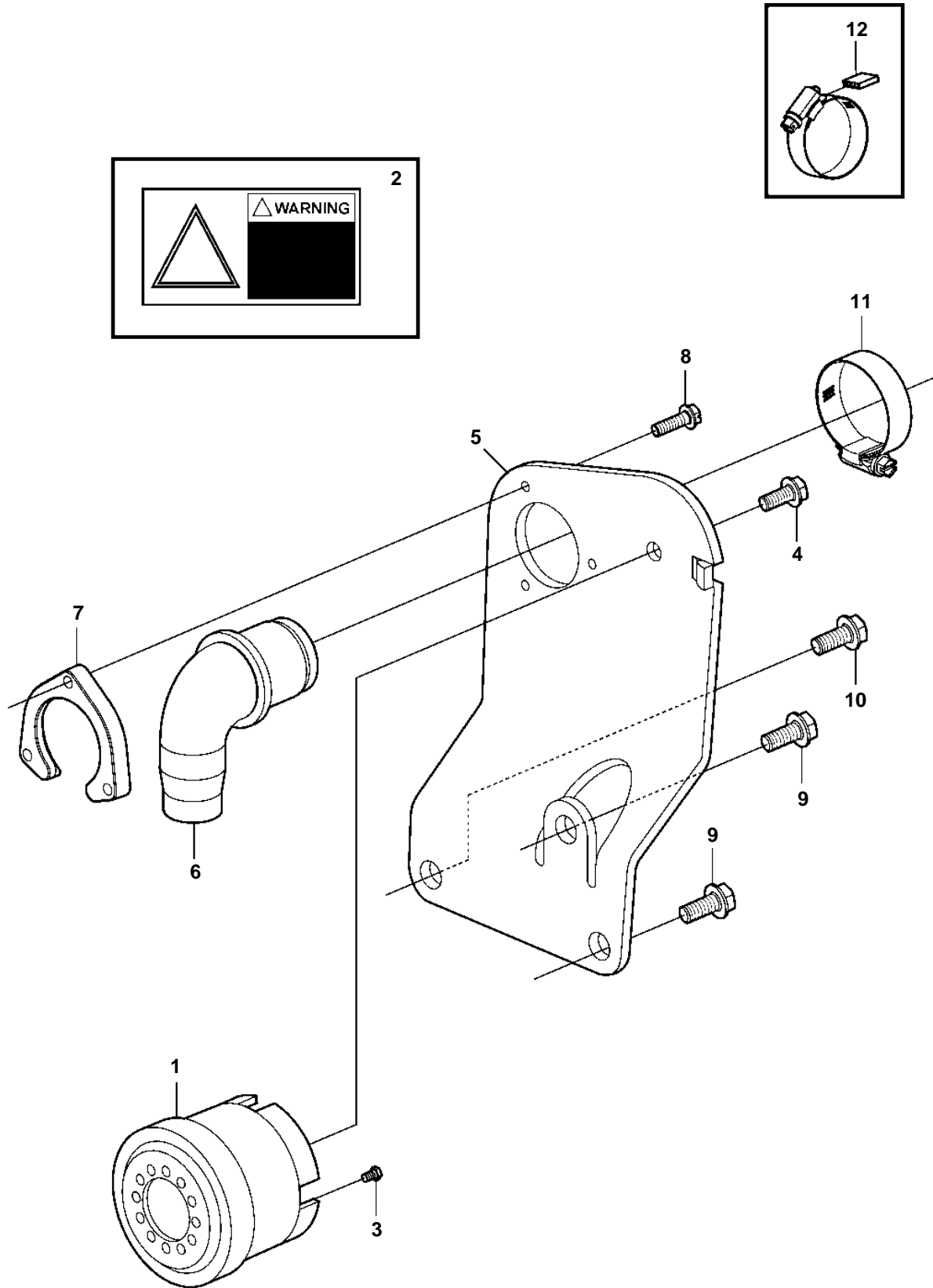


5.0GL-A, 5.0GL-B, 5.7GL-A, 5.7GL-B



5.0GL-A, 5.0GL-B, 5.7GL-A, 5.7GL-B

REF	PART NO.	QTY	DESCRIPTION	NOTES
1	3860264	1	Alarm	
2	3861504	1	Decal	WARNING!
3	3860531	2	Screw	
4	967949	1	Screw	
5	3860756	1	Bracket	
6		1	Cable harness	
7	3852825	1	Retainer	
8	3852208	3	Screw	
9	3853557	2	Screw	
10	3853266	1	Screw	
11	3853786	1	Clamp	
12	3858532	1	Cover	