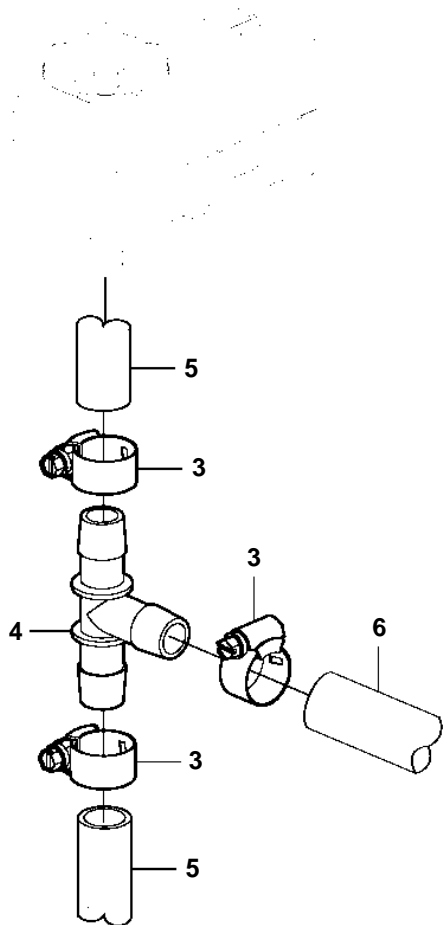
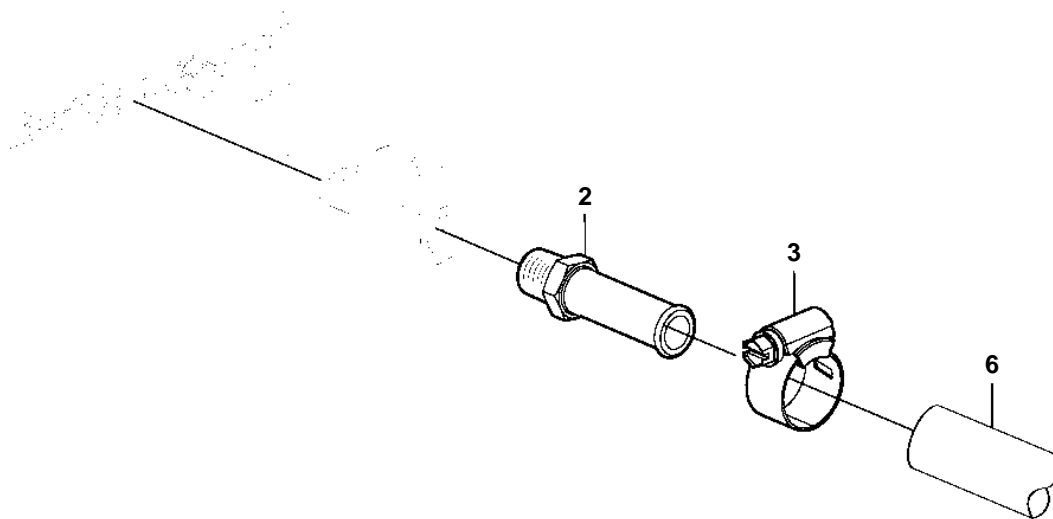


5.7GiI-G, 5.7GXil-H



1



5.7GiI-G, 5.7GXil-H

REF	PART NO.	QTY	DESCRIPTION	NOTES
1	3818037	1	Kit	
2	856483	1	· Hose connection	
3	3863439	6	· Hose clamp	
4	3860613	1	· T-nipple	
5		X	Hose, expansion tank	Cut
6		X	Hose, heater	Not included in kit.