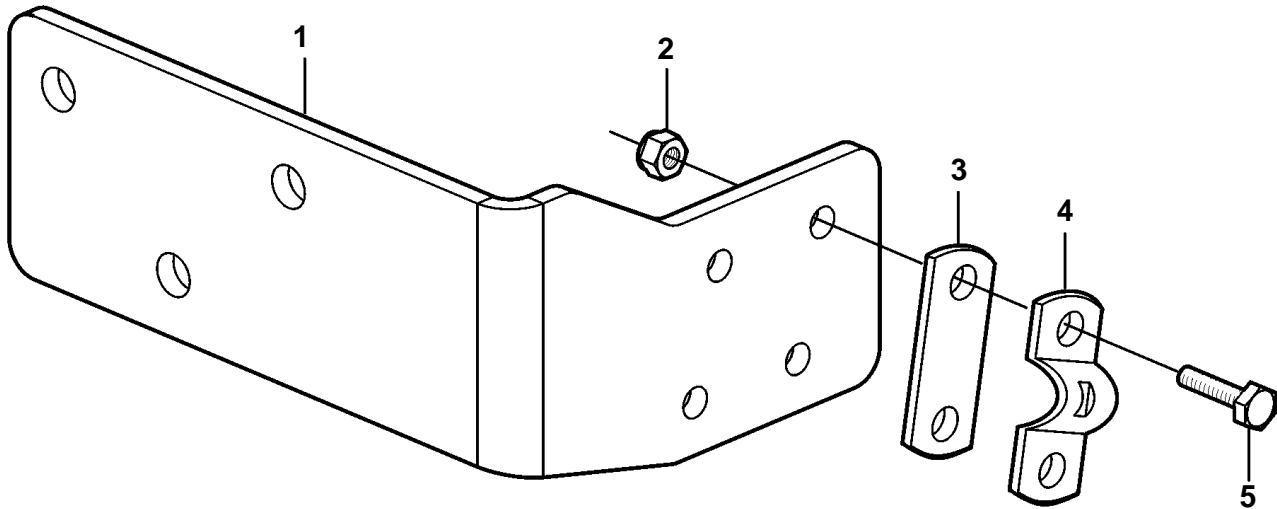
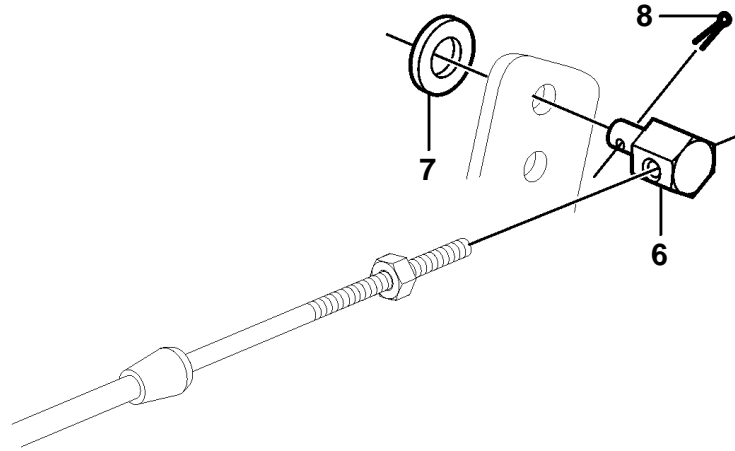


5.7GiI-F, 5.7GXil-G



5.7GiI-F, 5.7GXil-G

REF	PART NO.	QTY	DESCRIPTION
1	3861673	1	Bracket
2	949874	2	Lock nut
3	819068	1	Washer
4	819067	1	Brace
5	955246	2	Screw
6	3841580	1	Cube
7	3852193	1	Washer
8	3852052	1	Cotter pin