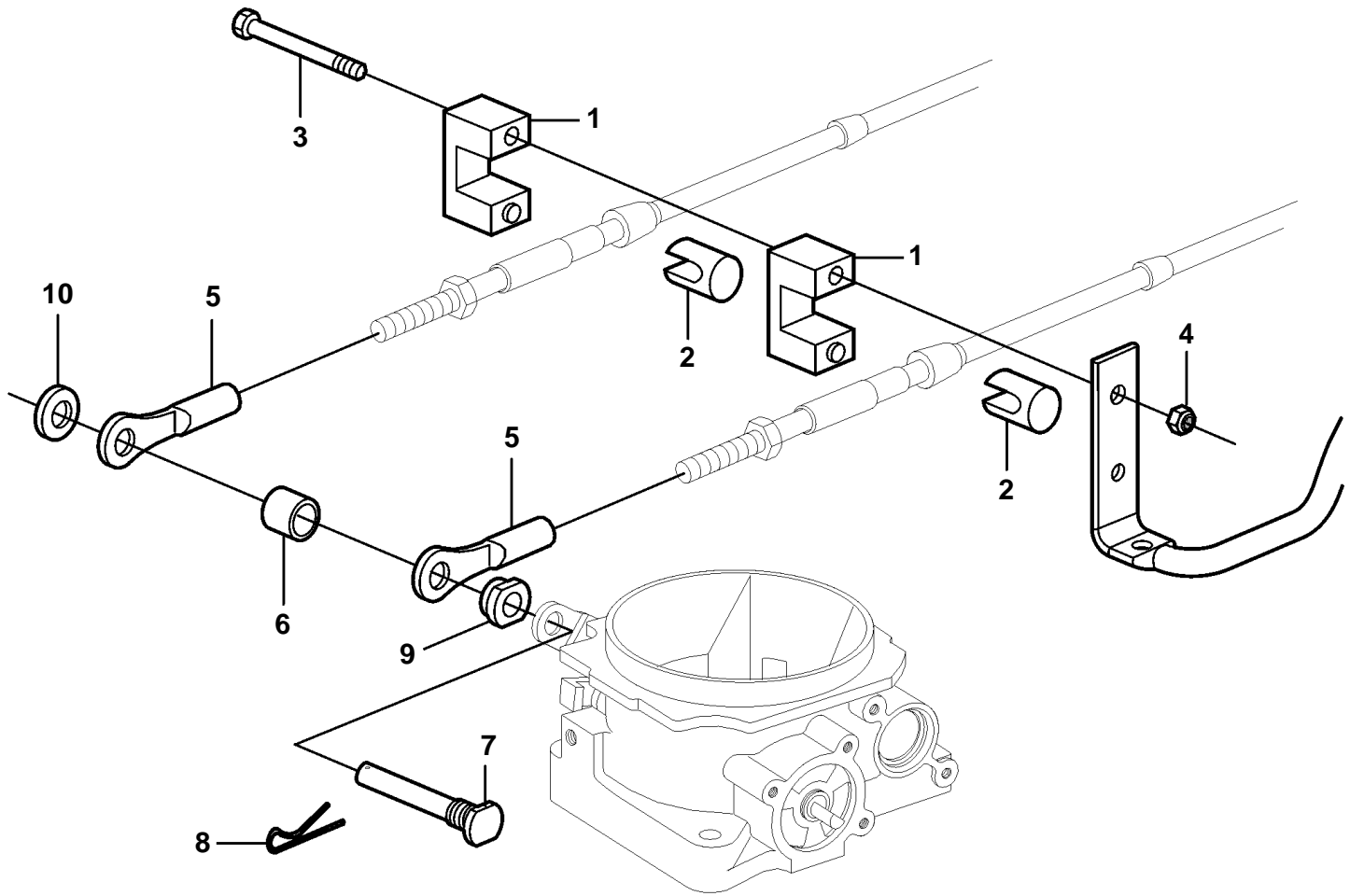


5.7GiI-F, 5.7GXil-G



22597

5.7Giil-F, 5.7GXil-G

REF	PART NO.	QTY	DESCRIPTION
1	3850266	2	Anchorage
2	3852019	2	Retainer
3	983643	1	Flange screw
4	963105	1	Nut
5	3850941	2	Adapter
6	3589840	1	Spacer
7	3589648	1	Pin
8	3852052	2	Cotter pin
9	3852004	1	Lock nut
10	3852193	1	Washer