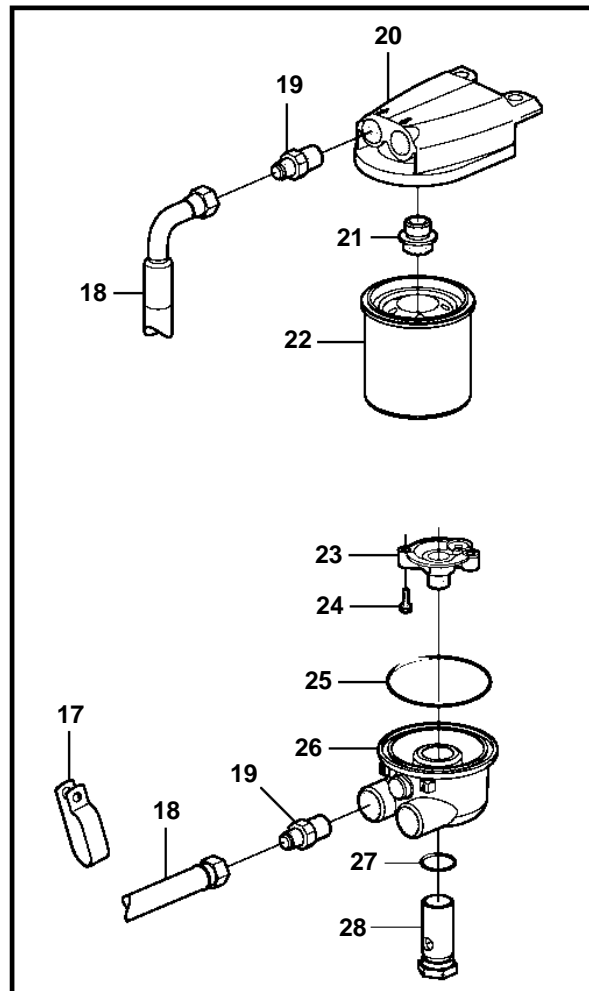
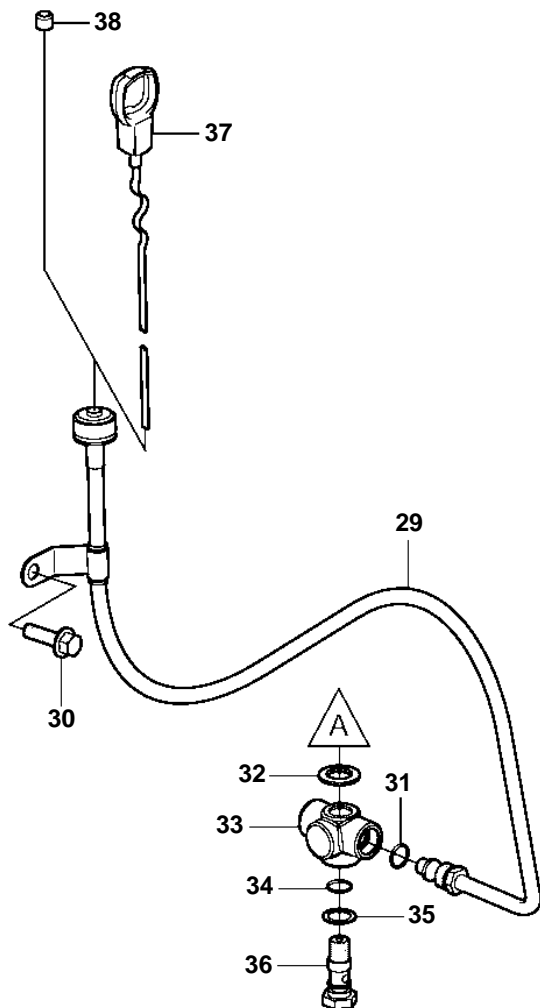
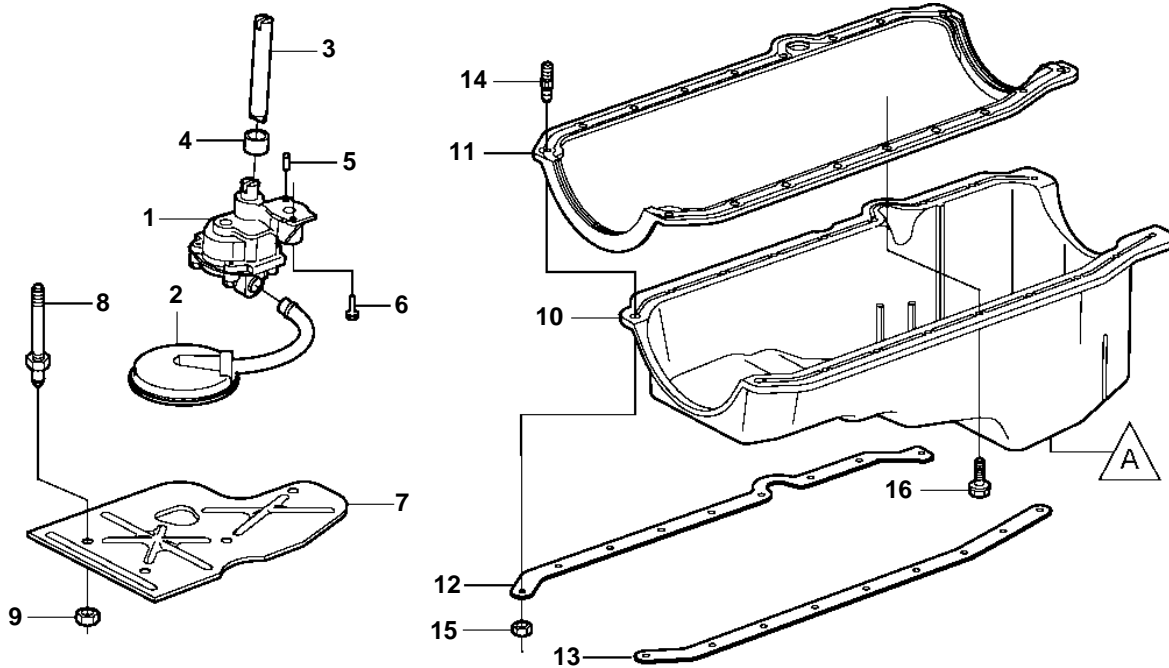


5.7Giil-F, 5.7GXil-G



5.7Giil-F, 5.7GXil-G

REF	PART NO.	QTY	DESCRIPTION	SEE SEC.	NOTES
1	3856125	1	Oil pump		
2	3856126	1	Oil pump screen		
3	3853198	1	Shaft		
4	3853199	1	Retainer		
5	3855972	2	Pin		
6	3853234	1	Screw		
7	3852744	1	Baffle plate		
8	3862354	6	Stud		
9	3857664	5	Nut		
10	3857778	1	Oil pan		
11	3856138	1	· Gasket kit		
12	3856121	1	Reinforcement		STARBOARD
13	3856120	1	Reinforcement		PORT
14	3853202	4	Stud		
15	3856930	4	Nut		
16	3852595	14	Screw		
17	3860075	1	Clamp		
18	3808639	2	Oil line		
19	3860234	4	Fitting		
20	3840727	1	Adapter		
21	3852015	1	· Connector		
22	835440	1	Oil filter		
			Bulletin P-21-7-1	P-21-7-1-EN	Oil Filters, GM gas engines
23	3852219	1	Valve		
24	3852133	2	Screw		
25	3852470	1	O-ring		
26	3860060	1	Adapter		
27	3852089	1	O-ring		
28	3853495	1	Retainer		
29	3863447	1	Tube		STARBOARD
	3841322	1	Tube		PORT
30	3853405	1	Screw		
31	3852033	2	O-ring		
32	3851981	1	Sealing washer		
33	3587786	1	Fitting		
34	3853674	1	O-ring		
35	3852007	1	Washer		
36	888958	1	Retainer		
37	3862844	1	Oil dipstick		
38	3858536	1	Cap		