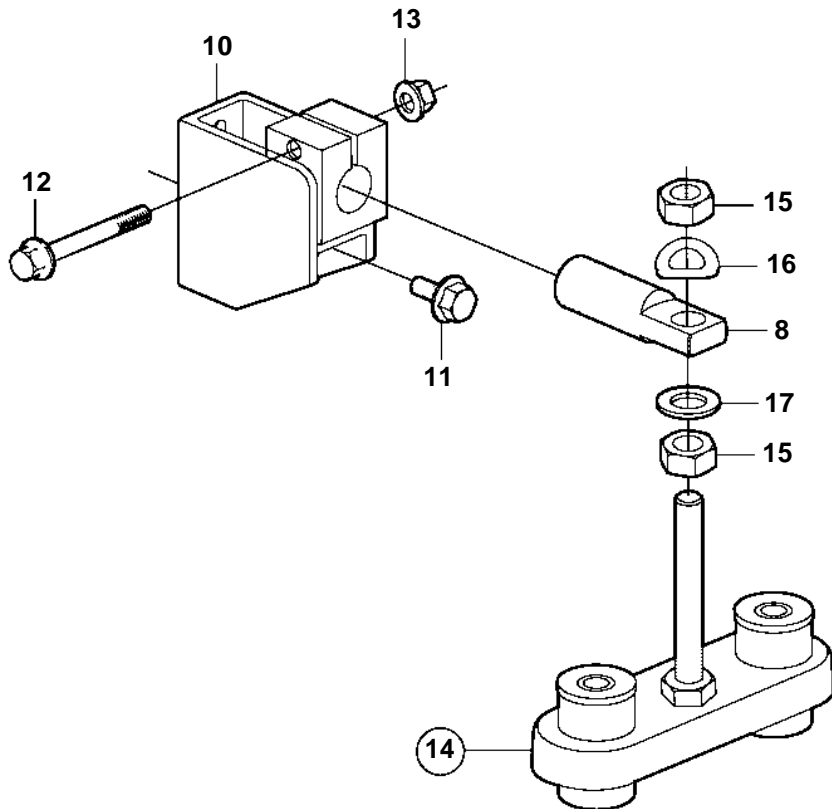
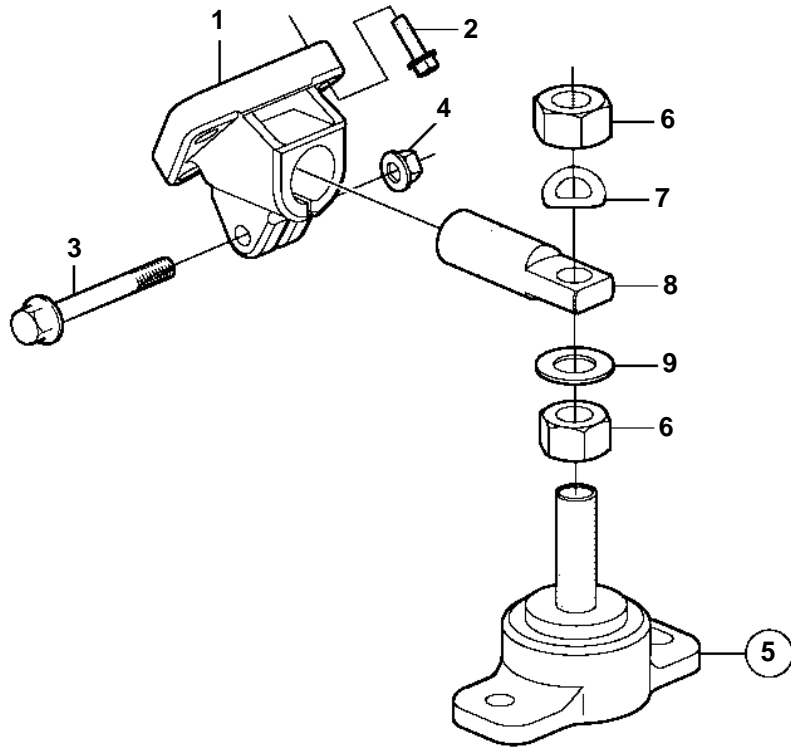


5.7GiI-F, 5.7GXil-G



5.7Gii-F, 5.7GXii-G

REF	PART NO.	QTY	DESCRIPTION
1	3843705	2	Bracket
2	3860582	6	Screw
3	3855595	2	Screw
4	946175	2	Nut
5	857251	2	Rubber cushion
6	955860	4	· Nut
7	941914	2	Spring washer
8	3863365	4	Pin
9	3857588	2	Washer
10	3858534	2	Bracket
11	965191	8	Screw
12	3855595	2	Screw
13	946175	2	Nut
14	3808466	2	Mounting kit
15	955860	4	· Nut
16	941914	2	· Spring washer
17	3857588	2	· Washer