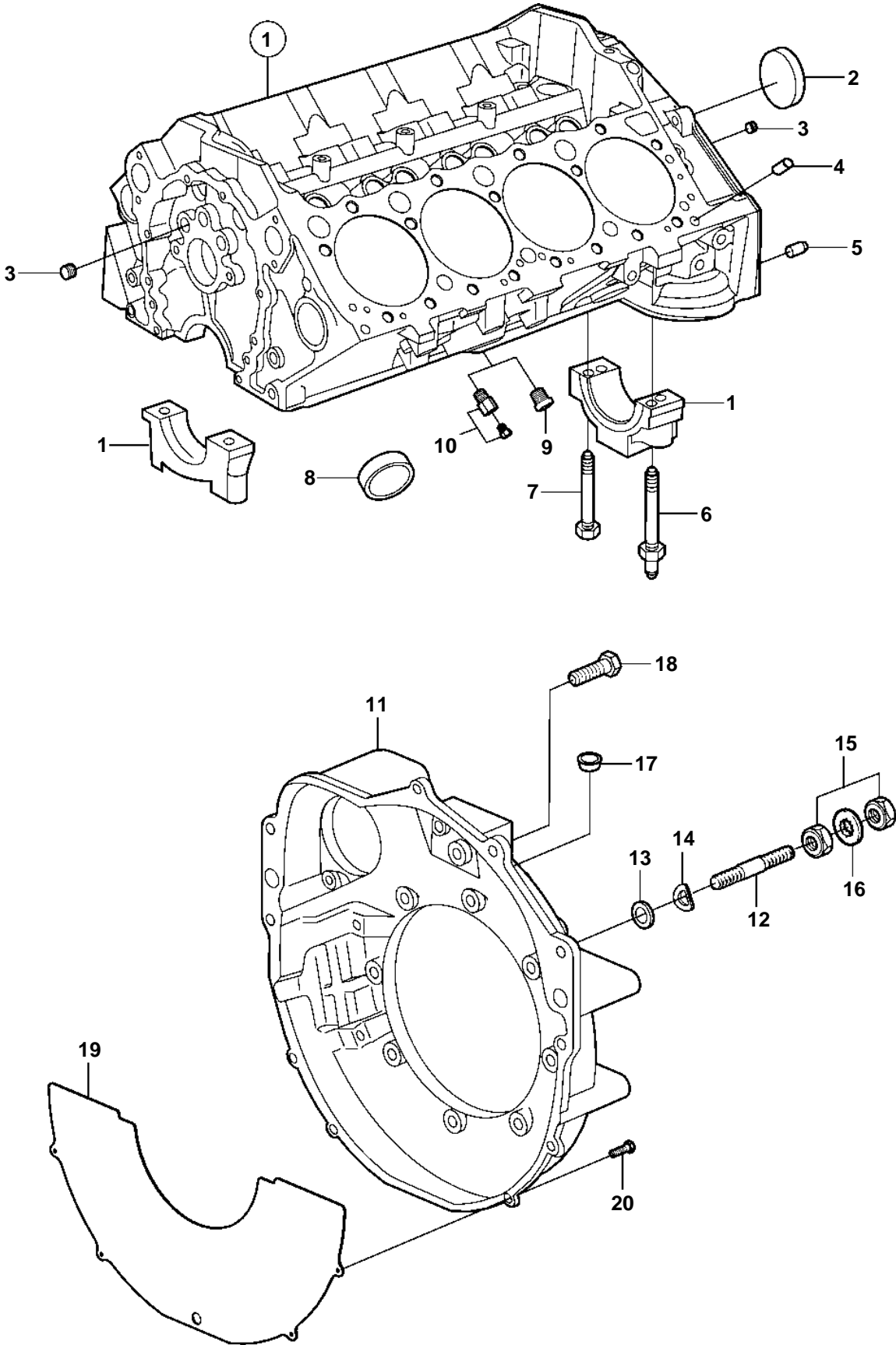


5.7Giil-F, 5.7GXil-G



5.7Giil-F, 5.7GXil-G

REF	PART NO.	QTY	DESCRIPTION	NOTES
1			Cylinder block	
2	3853209	1	Core plug	
3	952075	2	Plug	
4	3853114	4	Locating pin, cylinder head	
5	3856001	2	Pin, flywheel housing	
6	3862354	6	Stud	
7	3862355	10	Screw	
8	3852100	8	Core plug	
9	3850802	X	Plug	
10	3854494	X	Drain cock	
11	841056	1	Flywheel housing	
12	982675	2	Stud	
13	980933	2	Washer	
14	982475	2	Spring washer	
15	982672	4	Nut	
16	982679	4	Lock washer	
17	943589	1	Plug	
18	3852478	1	Screw	L=1.25" (32mm)
	3860169	2	Screw	L=3.00" (76mm)
19	3588612	1	Cover plate	
20	3852421	4	Screw	