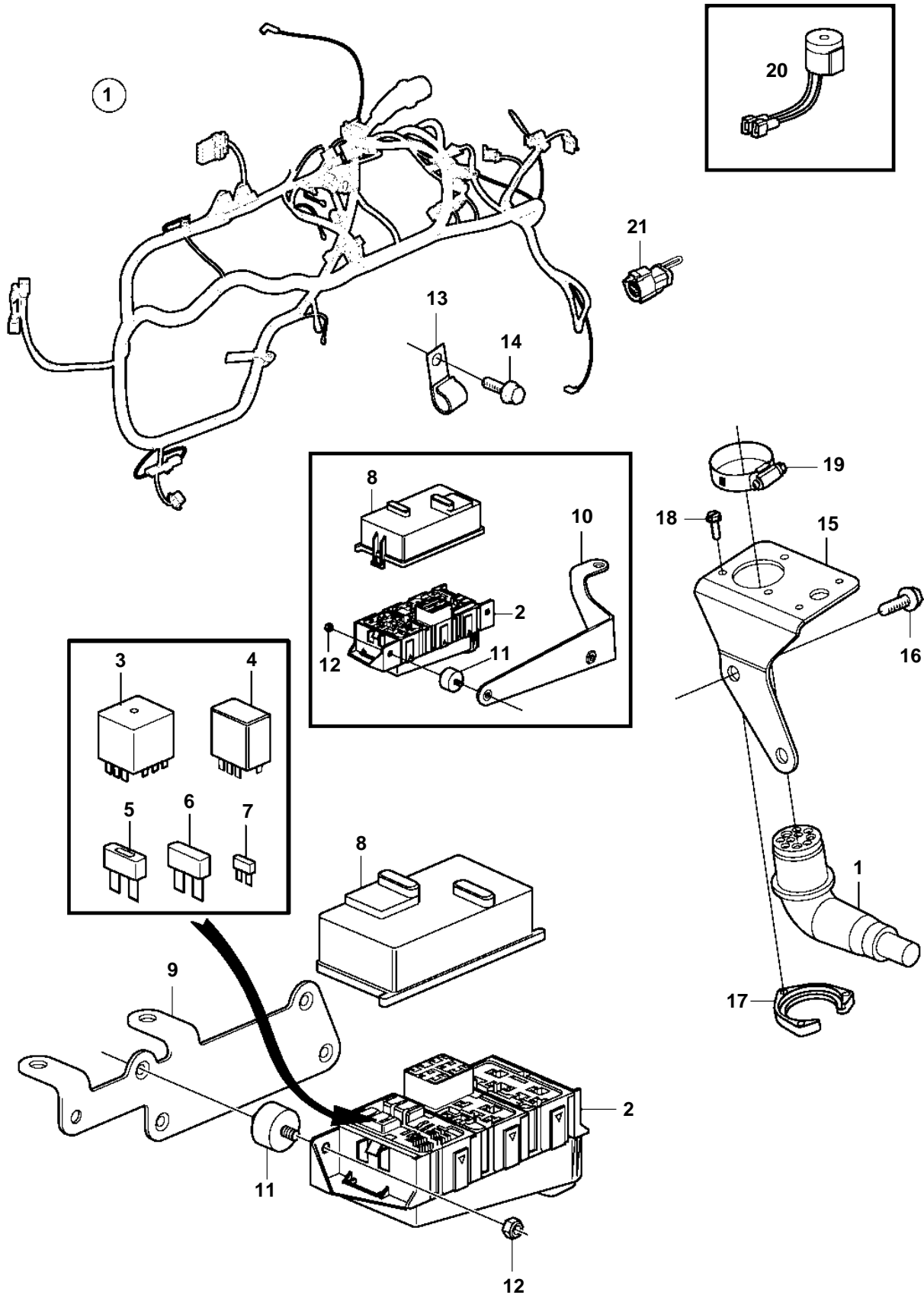


5.7GiI-F, 5.7GXil-G



5.7Giil-F, 5.7GXil-G

REF	PART NO.	QTY	DESCRIPTION	NOTES
1	3817808	1	Cable harness	
2		1	· Fuse box	
3	3858809	1	· Relay	
4	3841366	2	· Relay	
5	3841369	1	· Breaker	50A
6	3841370	1	· Fuse	40A
	3841371	1	· Fuse	20A
7	3841373	X	· Fuse	5A
	3863403	X	· Fuse	7.5A
	3841372	X	· Fuse	10A
	3861373	X	· Fuse	15A
	3861374	X	· Fuse	20A
8			· Lid	
9	3843887	1	Bracket	
10	3819660	1	Bracket	Used on V-drives with freshwater cooling.
11	3840402	2	Isolator	
12	3852118	2	Nut	
13	3852146	2	Clamp, J	D=.375" (9.5mm)
	3852434	1	Clamp, J	D=.750" (19.0mm)
	3852490	1	Clamp	D=1.44"(36mm)
14	3853557	1	Screw	
15	3862583	1	Bracket	
16	3853557	2	Screw	
17	3852825	1	Retainer	
18	3852208	3	Screw	
19	3863440	1	Clamp	
20	3817974	1	Alarm	Mounted at the helm.
21	3842396	1	Plug	For dual stations.