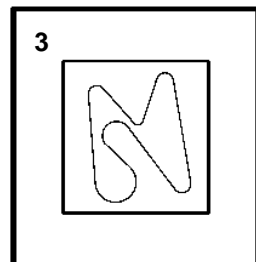
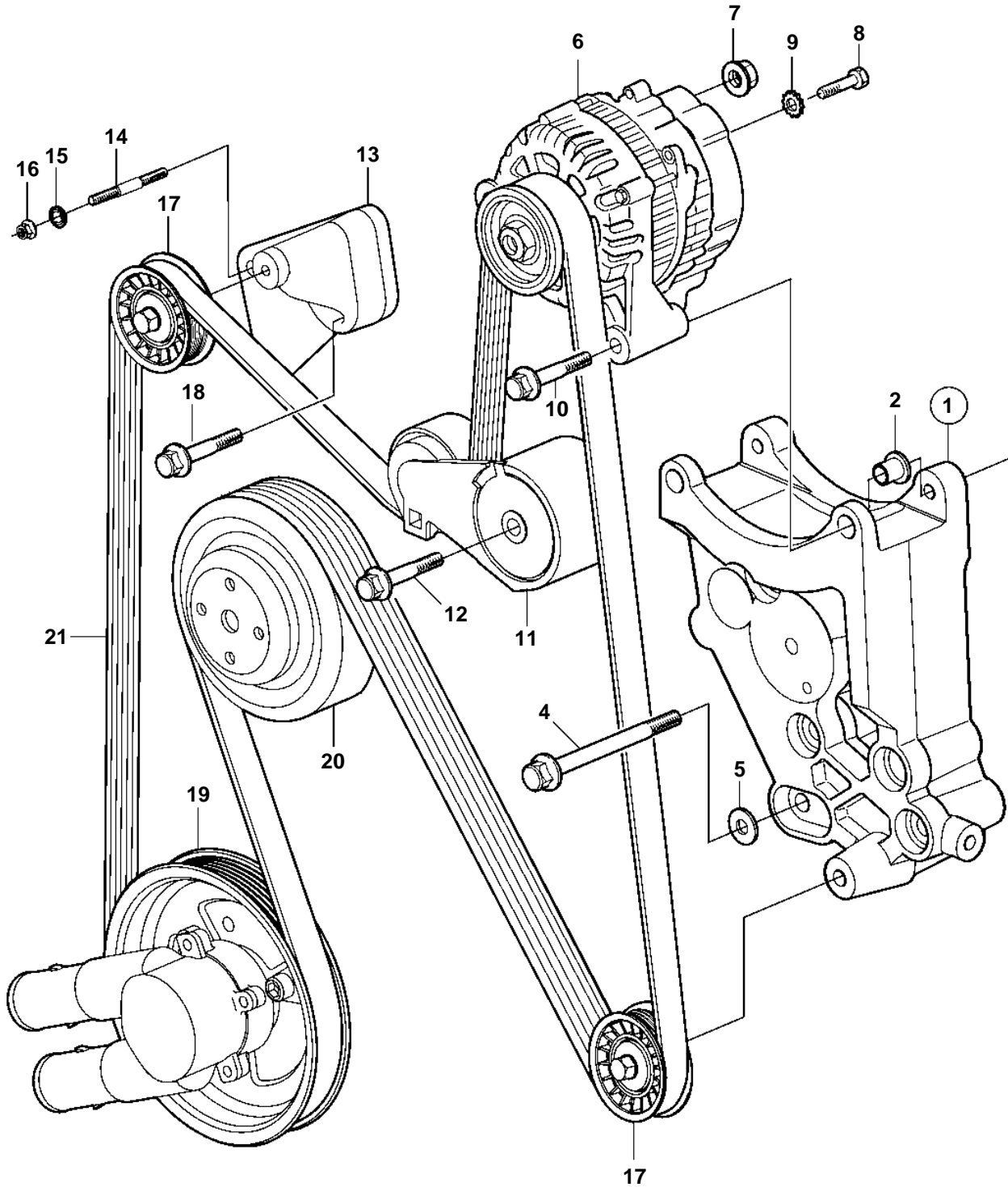


5.7GiI-E, 5.7GXil-F



## 5.7GiI-E, 5.7GXil-F

| REF | PART NO. | QTY | DESCRIPTION            | SEE SEC. |
|-----|----------|-----|------------------------|----------|
| 1   | 3863178  | 1   | Bracket                |          |
| 2   | 3854579  | 2   | · Bushing              |          |
| 3   | 3863274  | 1   | Decal                  |          |
| 4   | 3853392  | 3   | Screw                  |          |
| 5   | 980933   | 2   | Washer                 |          |
| 6   | 3862665  | 1   | Alternator             |          |
| 7   | 945408   | 1   | Flange nut             |          |
| 8   | 3852208  | 1   | Screw                  |          |
| 9   | 3852520  | 1   | Washer                 |          |
| 10  | 965189   | 2   | Flange screw           |          |
| 11  | 3860079  | 1   | Belt tensioner         |          |
| 12  | 965223   | 1   | Flange screw           |          |
| 13  | 3860078  | 1   | Bracket                |          |
| 14  | 3860286  | 2   | Stud                   |          |
| 15  | 3860538  | 2   | Nut, speed             |          |
| 16  | 3853404  | 2   | Lock nut               |          |
| 17  | 3860201  | 2   | Pulley                 |          |
| 18  | 3860499  | 1   | Screw                  |          |
| 19  |          | 1   | Sea water pump         | 6625     |
| 20  |          | 1   | Pulleycirculation pump | 6642     |
| 21  | 3586327  | 1   | Drive belt             |          |