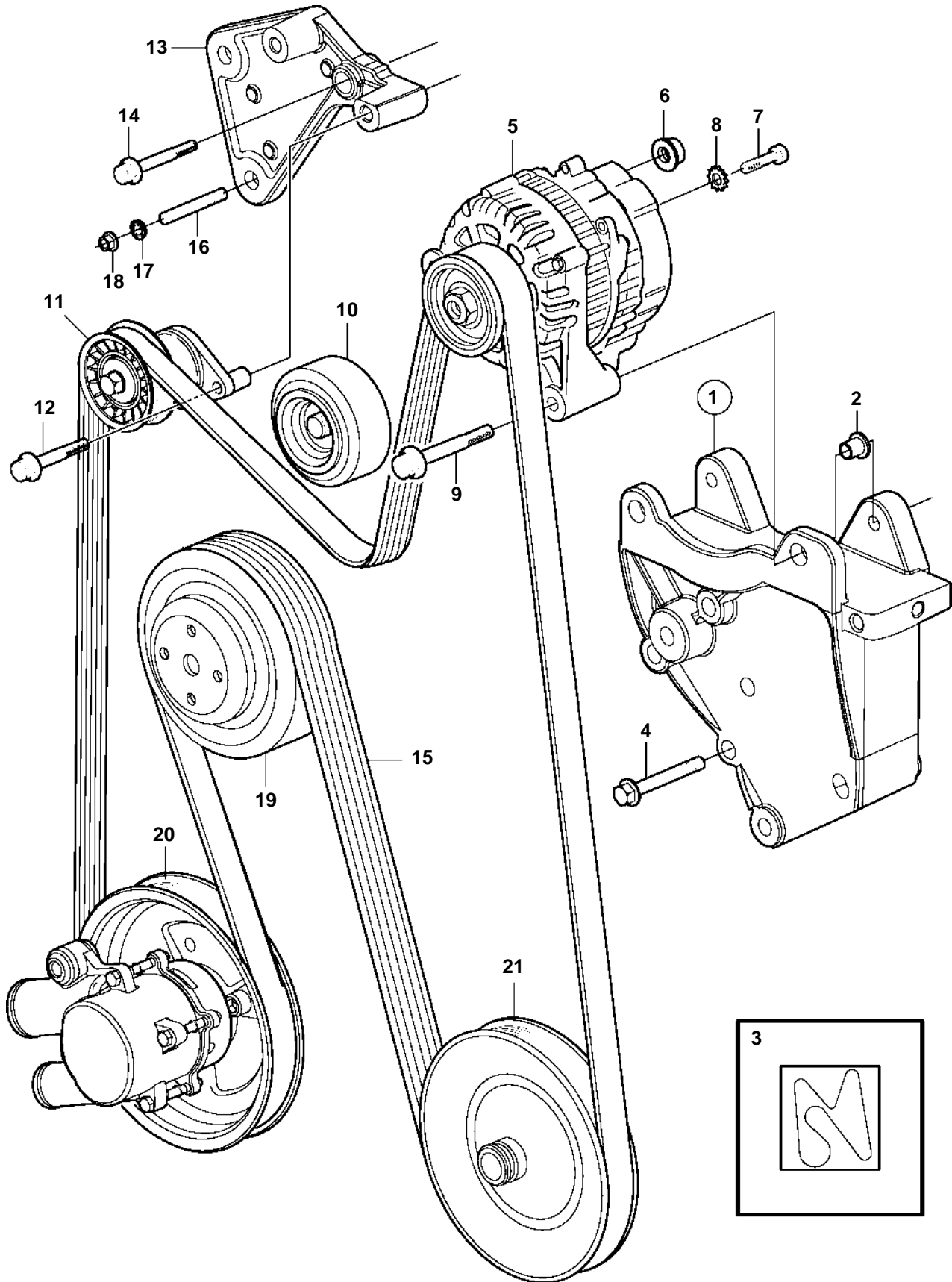


5.0GXi-F, 5.0GXi-FF, 5.0OSi-F, 5.0OSi-FF



5.0GXi-F, 5.0GXi-FF, 5.00Si-F, 5.00Si-FF

REF	PART NO.	QTY	DESCRIPTION
1	3819030	1	Bracket
2	3863175	2	· Bushing
3	3863274	1	Decal
4	3860281	3	Screw
5	3862665	1	Alternator
6	945408	1	Flange nut
7	3852208	1	Screw
8	3852520	1	Washer
9	947790	2	Flange screw
10	3861009	1	Pulley
11	3587858	1	Belt tensioner
12	3841928	2	Flange screw
13	3817292	1	Bracket
14	3841928	1	Flange screw
15	3817287	1	Drive belt
16	3860928	2	Stud
17	3860538	2	Nut, speed
18	3853404	2	Lock nut
19		1	Pulleycirculation pump
20		1	Sea water pump
21		1	Pulleypower steering pump