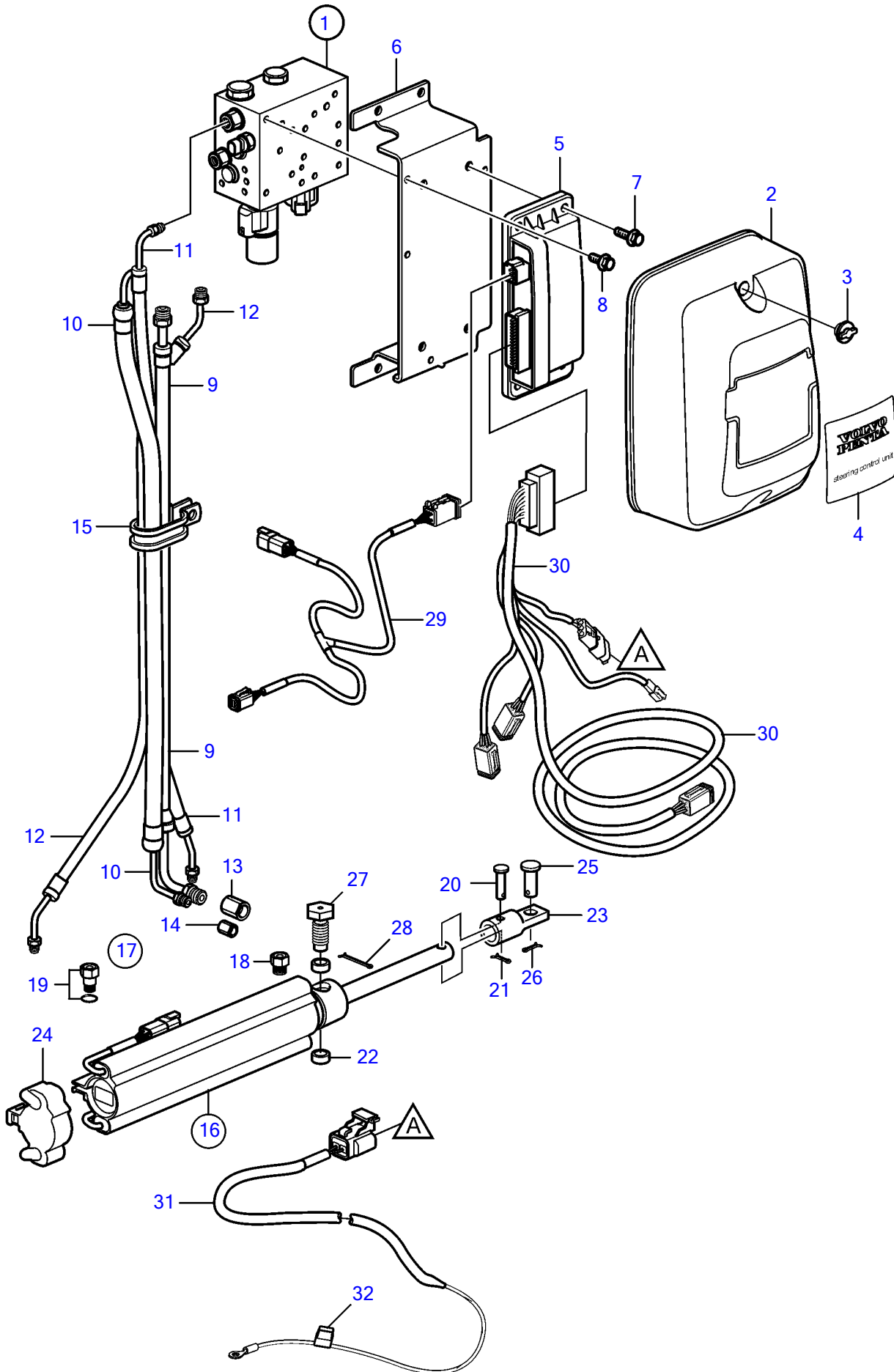


5.7GiCE-300-P, 5.7GXICE-P



5.7GiCE-300-P, 5.7GXICE-P

REF	PART NO.	QTY	DESCRIPTION	SEE SEC.	NOTES
1	21199262	1	Valve	38370	ser. no. A155442 and lower, replaced by 21445595
2	21198760	1	Cover		
3	3841608	2	Wing nut		
4	21199454	1	Decal		
5	21469067	1	Control unit		SCU
	3809286	1	Software		Warehouse programming. This p/n can not be ordered, but will be used for invoicing.
	3809285	1	Software		Vodia-programming. This p/n can not be ordered, but will be used for invoicing.
6	21199245	1	Bracket		
7	21280607	4	Flange screw		
8	946544	3	Flange screw		
9	21199304	1	Hose, return		
10	21199310	1	Hose, pressure		
11	21199314	1	Hose, starboard		
12	21199318	1	Hose, port		
13	984379	1	Nipple		
14	984378	1	Nipple		
15	(3852837)	2	Clamp		Obsolete part, part not sold
16	21243557	1	Steering cylinder		
		4	• Sensor, position		not sold separately
17	21298577	1	• Kit, fittings		
18		1	• • Fitting		¼" NPT, not sold separately
19		1	• • Fitting		ORB-M, not sold separately
		1	• • O-ring		not sold separately
20		1	• Clevis pin		not sold separately
21		1	• Cotter pin		not sold separately
22		2	• Bushing		not sold separately
23		1	• Cable attachment		not sold separately
24	21277346	1	Cardboard tube		
25	21234062	1	Clevis pin		
26	967707	1	Split pin		
27	3850931	2	Screw		
28	3853376	2	Split pin		
29	3588972	1	Cable kit, t		
30	21292450	1	Wiring harness		SCU
31	21292472	1	Wiring harness		Power
32		1	• Fuse		10A