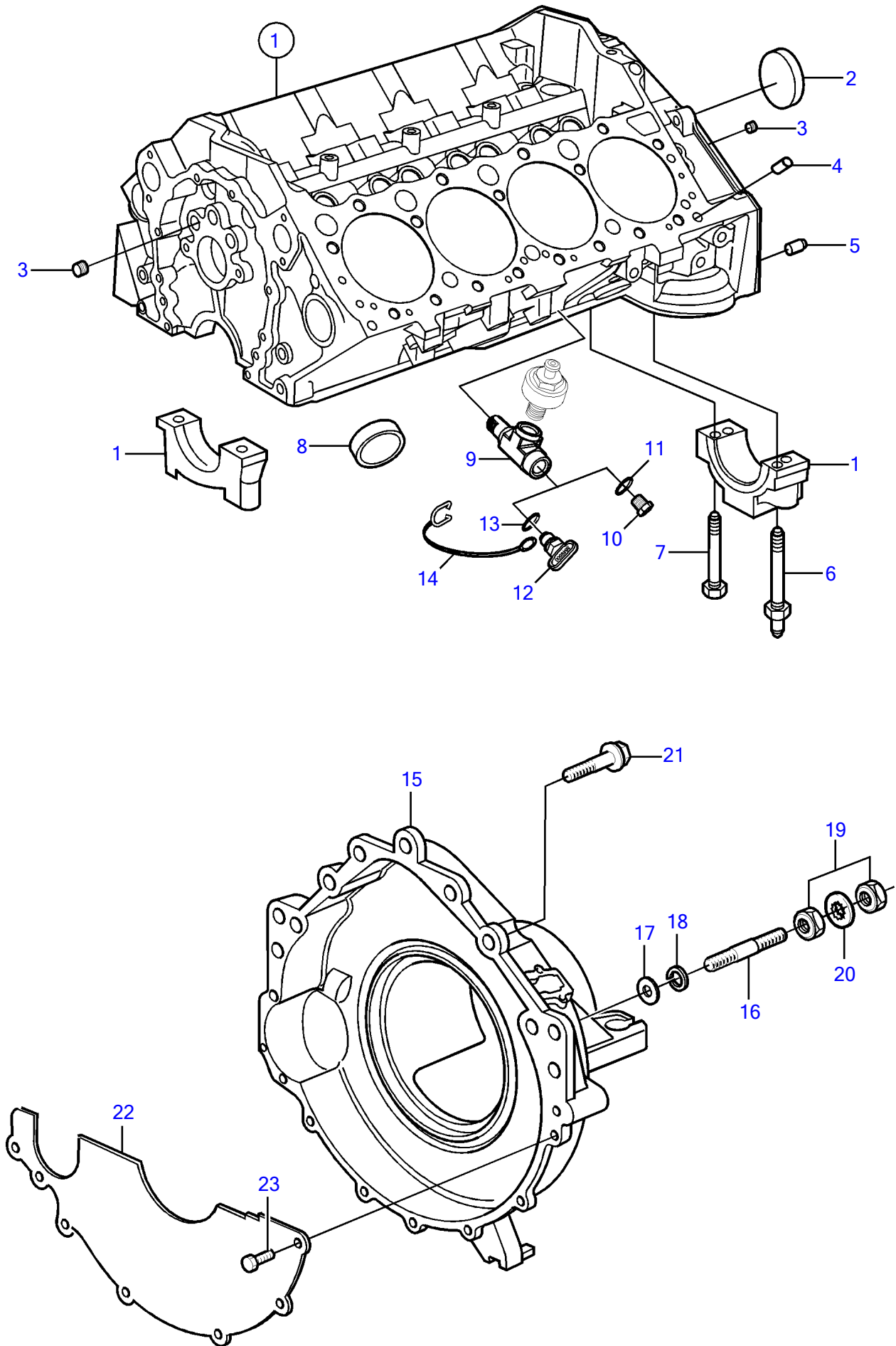


5.7GiCE-300-P, 5.7GXICE-P



## 5.7GiCE-300-P, 5.7GXICE-P

REF	PART NO.	QTY	DESCRIPTION	NOTES
1		1	Cylinder block	See "Longblock" section
2	3853209	1	• Core plug	
3	952075	1	• Plug	
4	3853114	4	• Locating pin, cylinder head	
5	3856001	2	• Pin, flywheel housing	
6	3862354	6	• Stud	
7	3862355	10	• Bolt	
8	3852100	8	Core plug	
9	3593571	1	Fitting	Port
	3593571	1	Fitting	Starboard
10	40005082	2	Plug	
11	976970	2	• O-ring	
12	21114522	2	Drain plug	
	3849500	2	• Plug	Replaced by 21114522, not sold separately
13	976970	2	• O-ring	
14	3849892	2	• Retainer	
15	21157924	1	Flywheel housing	replaced by next part number
		1	Flywheel housing	
16	3852483	3	Stud	
17	980933	3	Washer	
18	3852002	3	Spring washer	
19	(3852065)	6	Nut	Obsolete part, 3/8" - 16 unc
20	(3852070)	6	Washer	Obsolete part
21	3853392	2	Flange screw	L=2.50" (64mm)
	3860582	1	Flange screw	L=1.25" (32mm)
22	3854604	1	Cover	
23	3852421	4	Screw	