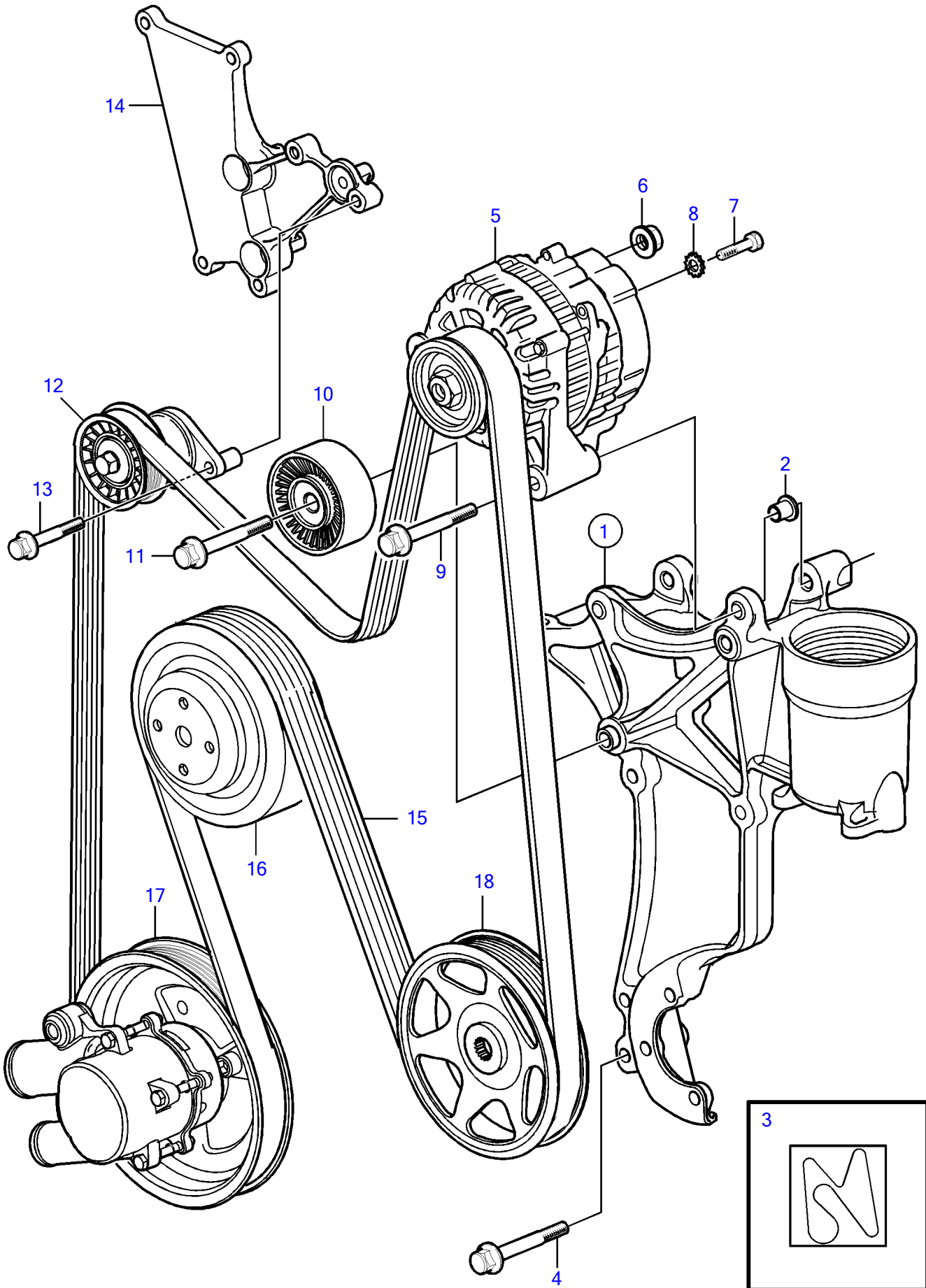


5.7GiCE-300-P, 5.7GXICE-P



5.7GiCE-300-P, 5.7GXICE-P

REF	PART NO.	QTY	DESCRIPTION	NOTES
1	21573817	1	Bracket	
2	3863175	2	• Bushing	
3	3863274	1	Decal	
4	3853392	4	Flange screw	
5	3884950	1	Alternator	
6	945408	1	Flange nut	
7	3852208	1	Screw	
8	3852520	1	Washer	
9	947790	2	Flange screw	
10	21585053	1	Idler pulley	
11	21425128		Flange screw	
12	3885250	1	Belt tensioner	
13	3850753	2	Flange screw	
14	21358873	1	Bracket	See "Fuel system" page
15	21399021	1	Belt	
16		1	Pulley, circulation pump	
17		1	Sea water pump	
18		1	Pulley, power steering pump	