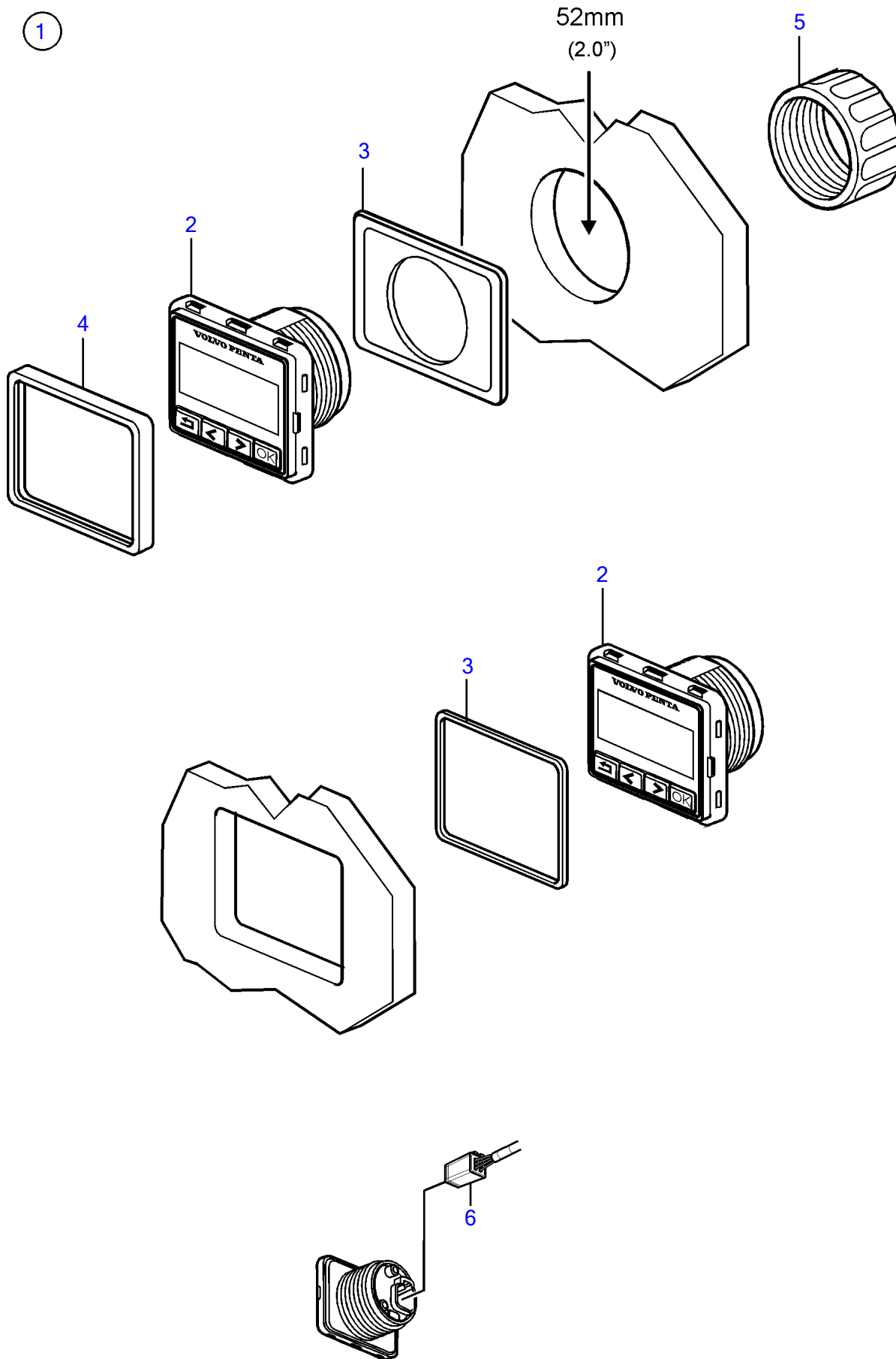


5.7GiCE-300-P, 5.7GXICE-P



5.7GiCE-300-P, 5.7GXICE-P

REF	PART NO.	QTY	DESCRIPTION
1	21761718	1	Display
	21761718		Display
2		1	• Display
3	3808135	1	• Gasket
4	21467057	1	• Frame
5	874450	1	• Attaching ring
6		1	Cable, multilink