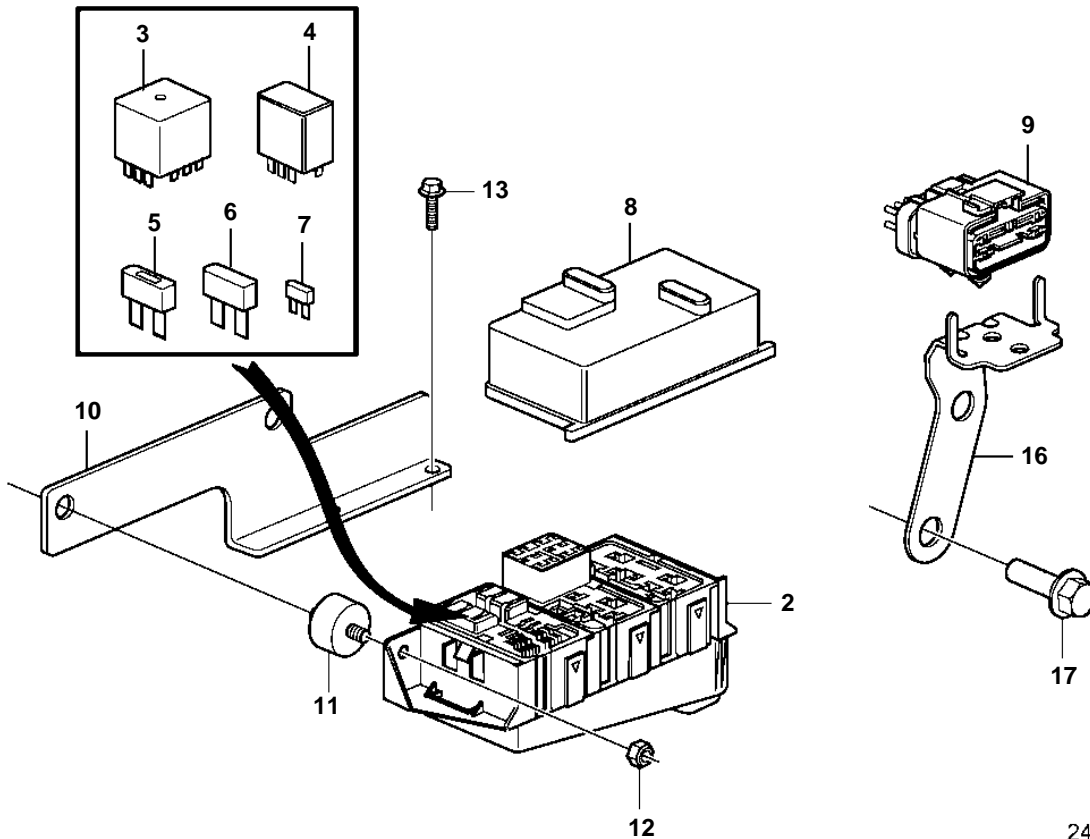
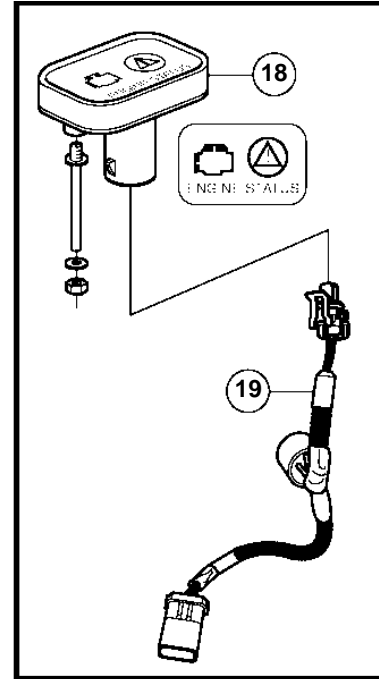
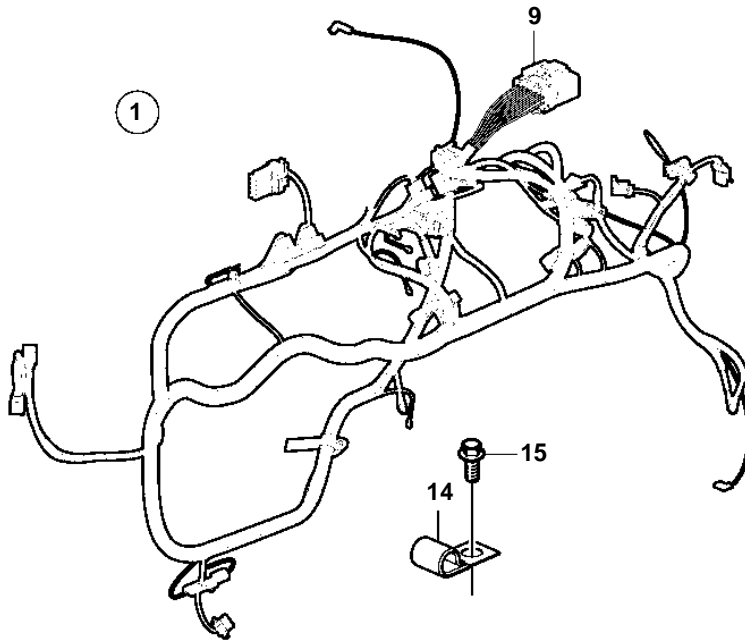


5.7GiCE-300-J, 5.7GiCE-300-JF, 5.7GXiCE-J, 5.7GXiCE-JF, 5.7GiCE-300-M, 5.7GiCE-300-MF, 5.7GXiCE-M, 5.7GXiCE-MF



5.7GiCE-300-J, 5.7GiCE-300-JF, 5.7GXICE-J, 5.7GXICE-JF, 5.7GiCE-300-M, 5.7GiCE-300-MF, 5.7GXICE-M, 5.7GXICE-MF

REF	PART NO.	QTY	DESCRIPTION	NOTES
1	3848907	1	Wiring harness	
2		1	· Fuse box	not sold separately
3	3858809	3	· Relay	
4	3841366	2	· Relay	
5	3841369	1	· Fuse	50A
6	3841370	1	· Fuse	20A
	3841371	1	· Fuse	40A
7	3841373	1	· Fuse	5A
	3863403	1	· Fuse	7.5A
	3841372	1	· Fuse	10A
	3861373	1	· Fuse	15A
	3861374	1	· Fuse	20A
8		1	· Cover plate	not sold separately
9		1	· Connector, 14 pin	not sold separately
10	3849442	1	Bracket	
11	3840402	2	Mounting base	
12	3852118	2	Nut	
13	946544	2	Flange screw	
14	3852146	2	Clamp, J	D=.375" (9.5mm)
	3852434	3	Clamp, J	D=.750" (19.0mm)
	3852490	1	Clamp	
15	3853557	2	Screw	
16	3884234	1	Bracket	
17	3853557	2	Screw	
18	21178775	1	Alarm panel	
		2	· Stud	not sold separately
		2	· Washer	not sold separately
		2	· Nut	not sold separately
19	21178777	1	Wiring harness	
		1	· Alarm	not sold separately