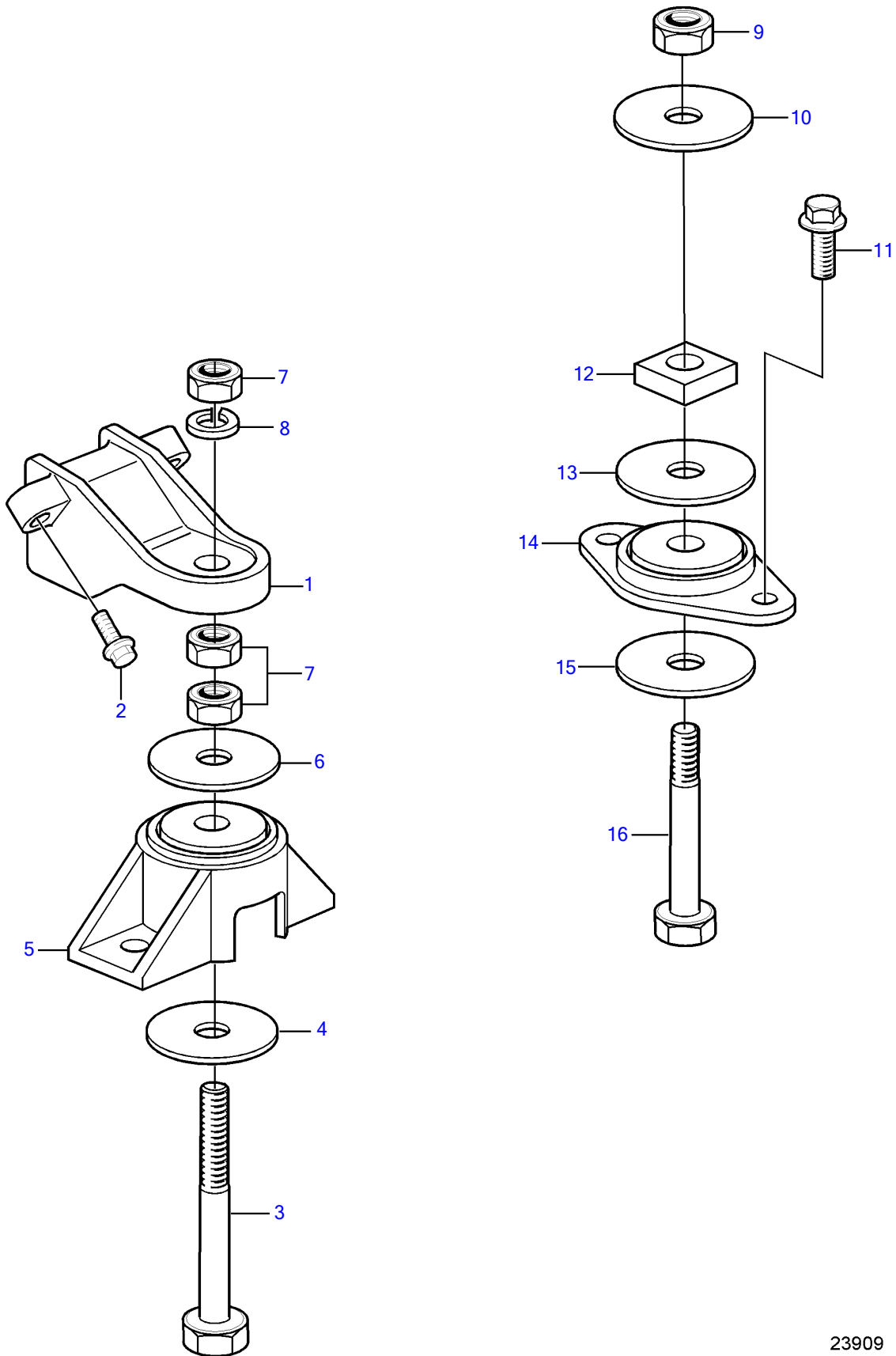


5.7GiC-300-P, 5.7GXIC-P



23909

5.7GiC-300-P, 5.7GXIC-P

REF	PART NO.	QTY	DESCRIPTION	NOTES
1	3818718	2	Bracket	
2	3860582	5	Flange screw	L=1.25" (32mm)
	3853393	1	Flange screw	L=38mm
3	3852566	2	Bolt	replaced by next part number
	21740808	2	Hexagon screw	
4	3852428	2	Washer	
5	3853805	2	Rubber cushion	
6	3852433	2	Washer	
7	3852021	6	Nut	
8	3852090	2	Spring washer	
9	3862657	2	Nut	
10	3852540	2	Washer	
11	3595401	4	Flange screw	
12	3852539	2	Square nut	
13	3852622	2	Washer	
14	3853806	2	Rubber cushion	
15	3852542	2	Washer	
16	3587962	2	Hexagon screw	