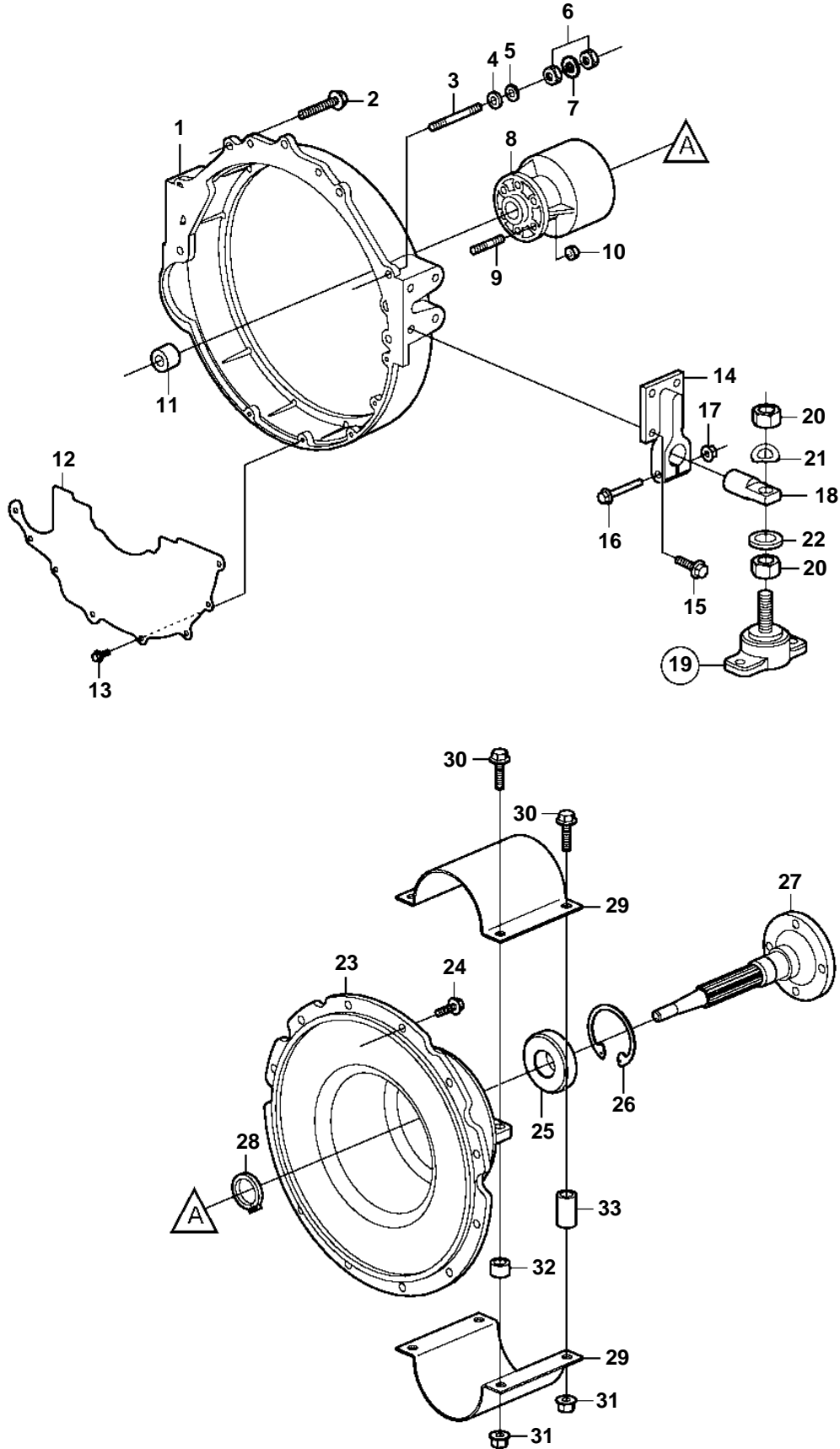


5.7Gi-G, 5.7Gi-GF, 5.7GXi-H, 5.7GXi-HF, 5.7OSi-G, 5.7OSi-GF, 5.7OSXi-G, 5.7OSXi-GF



5.7Gi-G, 5.7Gi-GF, 5.7GXi-H, 5.7GXi-HF, 5.7OSi-G, 5.7OSi-GF, 5.7OSXi-G, 5.7OSXi-GF

REF	PART NO.	QTY	DESCRIPTION	NOTES
1	3851722	1	Flywheel housing	
2	3853367	4	Screw	
3	3862494	2	Stud	
4	980933	2	Washer	
5	3852046	2	Spring washer	
6	971074	6	Hexagon nut	
7	982679	4	Toothed washer	
8	3858437	1	Rubber coupling	
9	3853274	6	Stud	
10	3853273	6	Nut	
11	3860697	1	Bushing	
12	3854604	1	Cover	
13	3852421	4	Screw	
14		2	Bracket	
15	965187	8	Flange screw	
16	965222	2	Flange screw	
17	971098	2	Flange lock nut	
18		2	Pin	
19	857251	2	Rubber cushion	
20	955860	4	Hexagon nut	
21	941914	2	Spring washer	
22	955902	2	Washer	
23	3851727	1	Bearing housing	
24	946752	11	Flange screw	
25	181877	1	Ball bearing	
26	914540	1	Snap ring	
27	3851724	1	Adapter kit	
28	914465	1	Snap ring	
29		2	Adapter kit	
30	948039	4	Flange screw	L=65mm
31	977938	4	Flange lock nut	
32	983740	8	Spacer sleeve	L=10mm
33	983741	4	Spacer sleeve	L=33mm