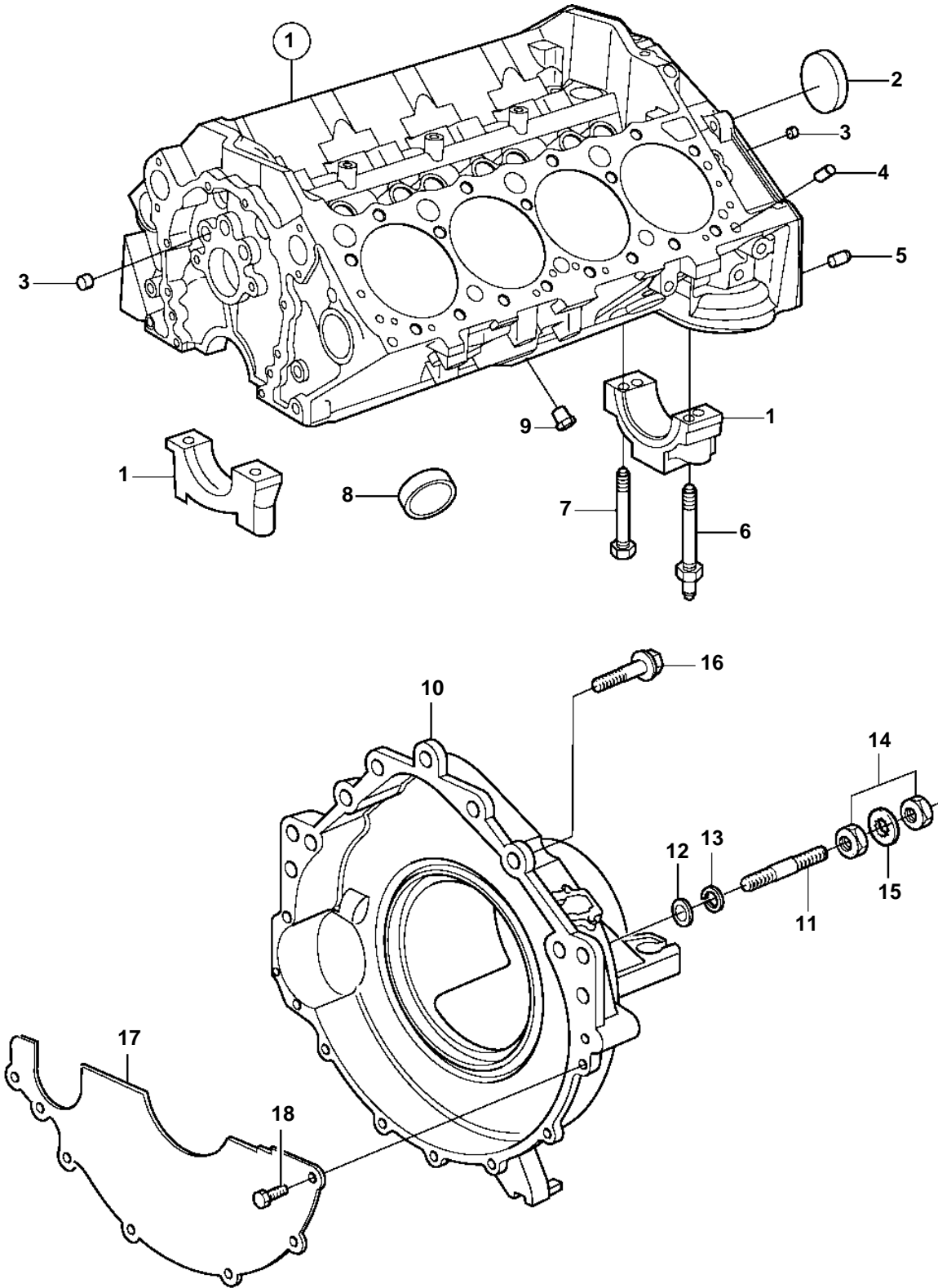


5.7Gi-GF, 5.7GXi-HF, 5.7OSi-GF, 5.7OSXi-GF



5.7Gi-GF, 5.7GXi-HF, 5.7OSi-GF, 5.7OSXi-GF

REF	PART NO.	QTY	DESCRIPTION	NOTES
1		1	Cylinder block	
2	3853209	1	· Core plug	
3	952075	X	· Plug	
4	3853114	4	· Locating pin, cylinder head	
5	3856001	2	· Pin, flywheel housing	
6	3862354	6	· Stud	
7	3862355	10	· Bolt	
8	3852100	8	Core plug	
9	3850802	2	Plug	
10	3808573	1	Flywheel housing	
11	982675	2	Stud	
12	980933	2	Washer	
	982475	2	Spring washer	
13	982679	2	Toothed washer	
14	982672	6	Hexagon nut	
15	982679	2	Toothed washer	
16	3860163	1	Screw	L=1.00" (25mm)
	3860582	3	Screw	L=1.25" (32mm)
17	3854604	1	Cover	
18	3852421	4	Screw	