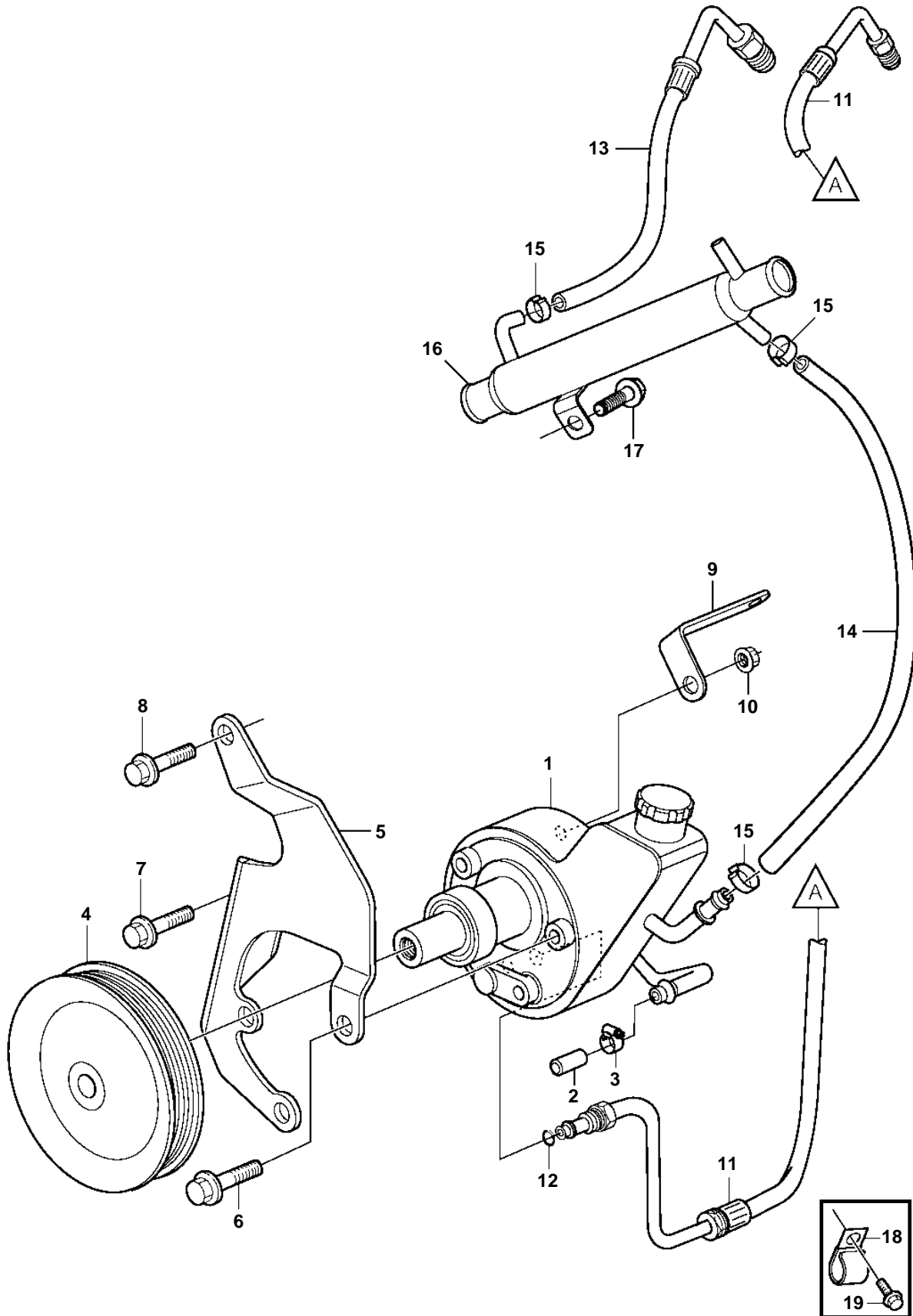


5.7Gi-F, 5.7Gi-FF, 5.7OSi-E, 5.7OSi-EF, 5.7GXi-G, 5.7GXi-GF, 5.7OSXi-E, 5.7OSXi-EF



5.7Gi-F, 5.7Gi-FF, 5.7OSi-E, 5.7OSi-EF, 5.7GXi-G, 5.7GXi-GF, 5.7OSXi-E, 5.7OSXi-EF

| REF | PART NO. | QTY | DESCRIPTION |
|-----|----------|-----|---------------------|
| 1 | 3860871 | 1 | Power steering pump |
| 2 | 3856766 | 2 | Cap |
| 3 | 3860413 | 2 | Clamp |
| 4 | 3862700 | 1 | Pulley |
| 5 | 3817841 | 1 | Bracket |
| 6 | 3853405 | 3 | Screw |
| 7 | 3853557 | 1 | Screw |
| 8 | 3853405 | 1 | Screw |
| 9 | 3840479 | 1 | Bracket |
| 10 | 971098 | 1 | Flange lock nut |
| 11 | 3863145 | 1 | Pressure hose |
| 12 | 3852497 | 1 | O-ring |
| 13 | 3863148 | 1 | Hose |
| 14 | | 1 | Hose |
| 15 | 982663 | 3 | Clamp |
| 16 | 3862629 | 1 | Oil cooler |
| 17 | 3860582 | 1 | Screw |
| 18 | | 1 | Clamp |
| 19 | 3853392 | 1 | Screw |