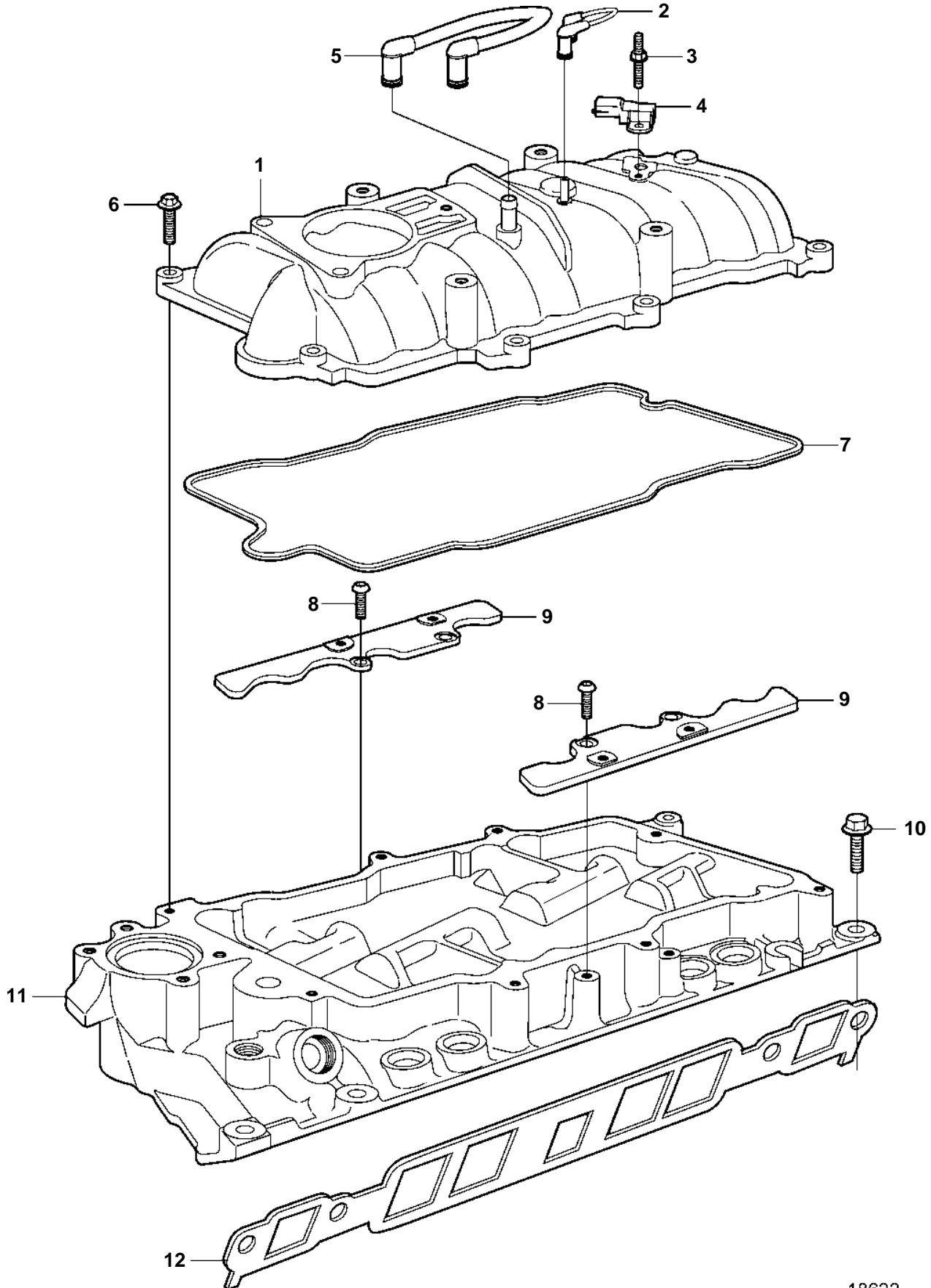


5.7Gi-F, 5.7Gi-FF, 5.7OSi-E, 5.7OSi-EF, 5.7GXi-G, 5.7GXi-GF, 5.7OSXi-E, 5.7OSXi-EF



5.7Gi-F, 5.7Gi-FF, 5.7OSi-E, 5.7OSi-EF, 5.7GXi-G, 5.7GXi-GF, 5.7OSXi-E, 5.7OSXi-EF

| REF | PART NO. | QTY | DESCRIPTION | NOTES   |
|-----|----------|-----|-------------|---------|
| 1   | 3858958  | 1   | Manifold    |         |
| 2   | 3858974  | 1   | Hose        |         |
| 3   | 3858973  | 1   | Stud        |         |
| 4   | 3858987  | 1   | Sensor      | MAT/MAP |
| 5   | 3858989  | 1   | Hose        |         |
| 6   | 3858961  | 10  | Screw       |         |
| 7   | 3858960  | 1   | Gasket      |         |
| 8   | 3858982  | 4   | Screw       |         |
| 9   |          | 2   | Bracket     |         |
| 10  | 3861980  | 8   | Screw       |         |
| 11  | 3858959  | 1   | Manifold    |         |
| 12  | 3857662  | 1   | Gasket kit  |         |