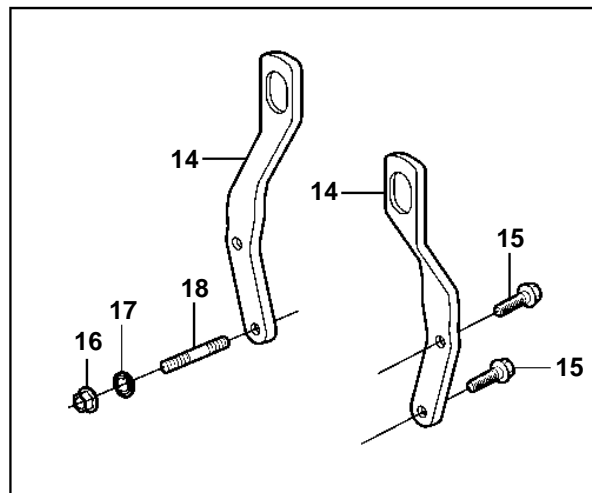
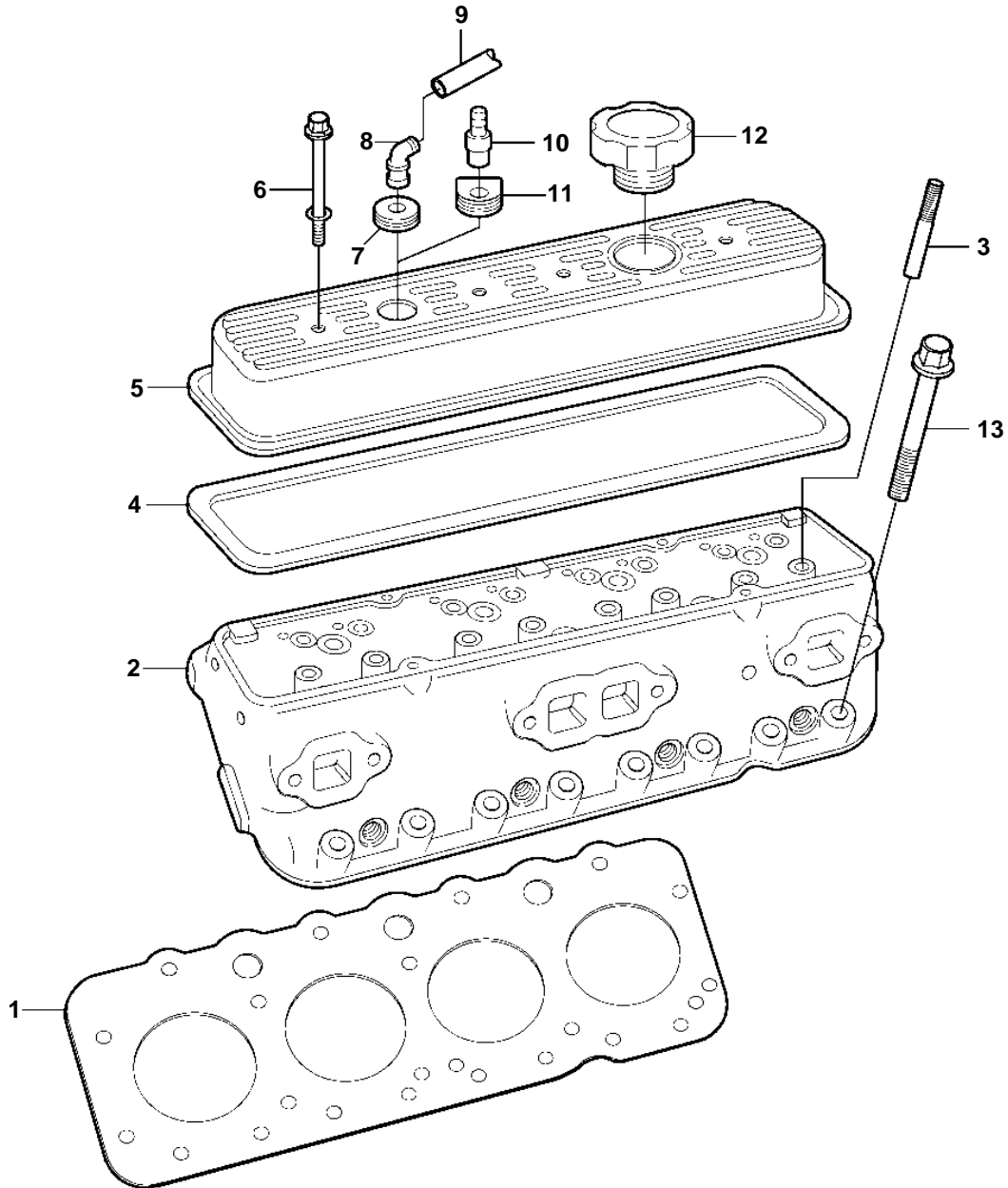


5.7Gi-F, 5.7Gi-FF, 5.7OSi-E, 5.7OSi-EF, 5.7GXi-G, 5.7GXi-GF, 5.7OSXi-E, 5.7OSXi-EF



19876

5.7Gi-F, 5.7Gi-FF, 5.7OSi-E, 5.7OSi-EF, 5.7GXi-G, 5.7GXi-GF, 5.7OSXi-E, 5.7OSXi-EF

REF	PART NO.	QTY	DESCRIPTION	NOTES
1	3853380	2	Gasket	
2	3856929	2	Cylinder head	
3		16	• Stud	
	3853146	X	Stud	O.S=.003" (0.076mm)
	3853147	X	Stud	O.S=.013" (0.330mm)
4	3852687	2	Gasket	
5	3856928	1	Valve cover	S.B
	3856927	1	Valve cover	P
6	3856135	8	Screw	
7	3852103	1	Grommet	
8	3852104	1	Elbow	
9	3852435	1	Hose	
10	3861989	1	Valve	CRANKCASE VENTILATION
11	3862296	1	Grommet	
12	3854008	1	Oil filler cap	
13	3856122	14	Screw	L=1.62" (41mm)
	3856123	4	Screw	L=3 1/16" (78mm)
	3856124	16	Screw	L=3 51/64" (96mm)
14	3862594	2	Bracket	
15	3853557	2	Screw	
16	3853404	2	Lock nut	
17	3860538	2	Nut, speed	
18	3860928	2	Stud	