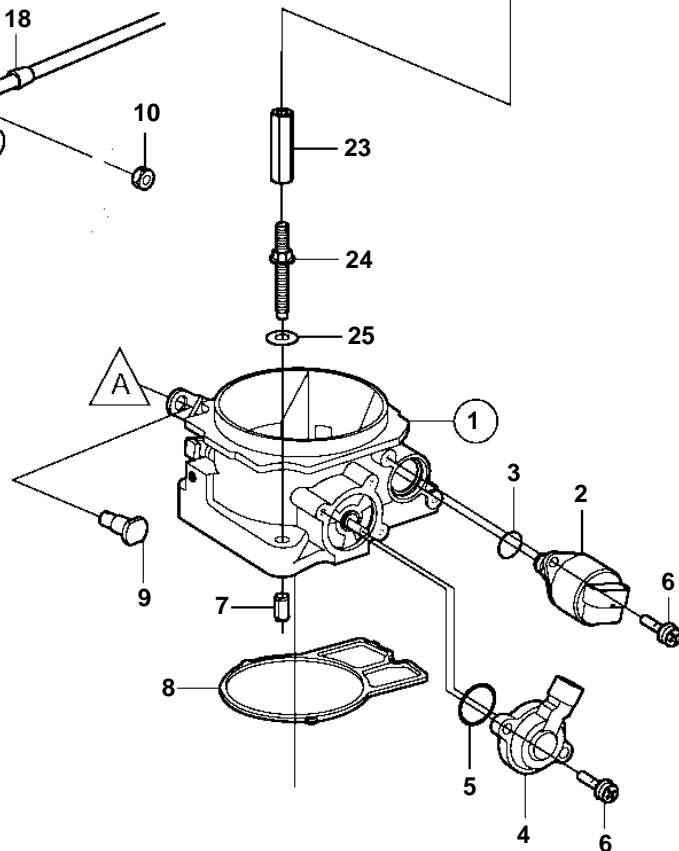
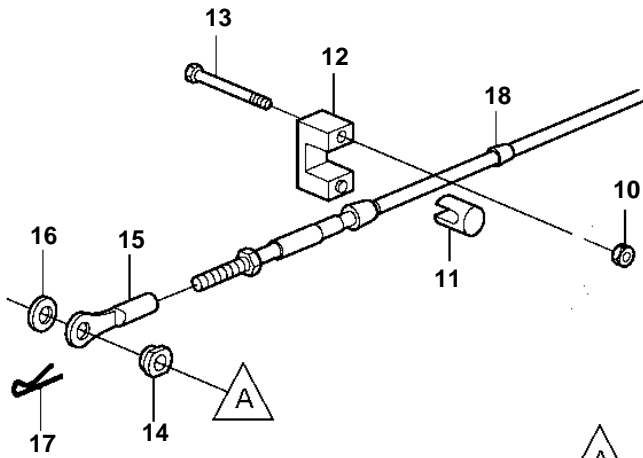
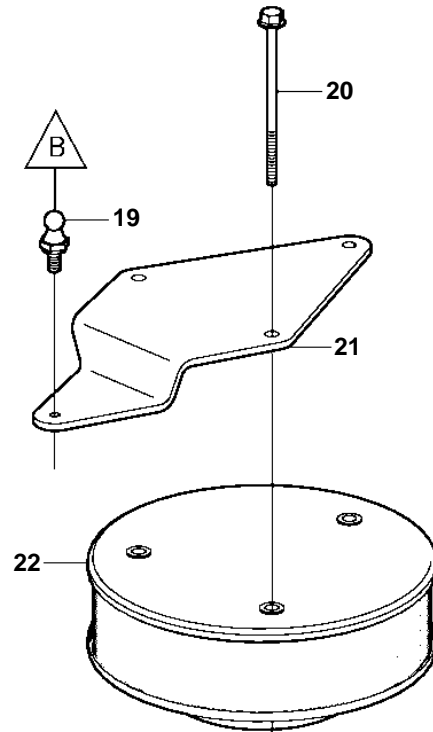
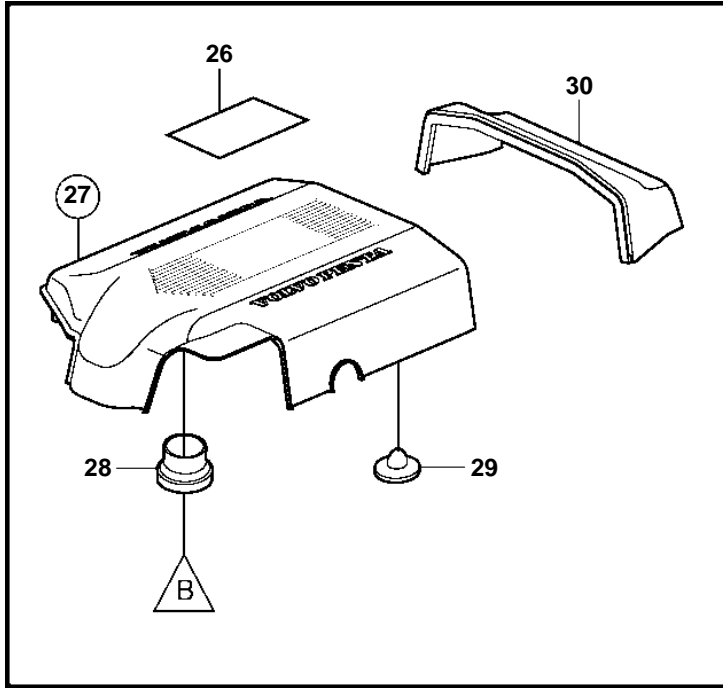


5.70Si-D, 5.70Si-DF



5.7OSi-D, 5.7OSi-DF

REF	PART NO.	QTY	DESCRIPTION	NOTES
1	3858963	1	Body	
2	3857696	1	· lac valve	
3	3858054	1	· · O-ring	
4	3857487	1	· Sensor, throttle position	
5		1	· · O-ring	
6	3857693	1	· Screw	
7		2	Spacer	
8	3858965	1	Gasket	
9	3854743	1	Pin	
10	3852118	1	Nut	
11	3852019	1	Retainer	
12	3850266	1	Anchor	
13	3852048	1	Screw	
14	3854744	1	Nut	
15	3850941	1	Adapter	
16	3852193	1	Washer	
17	3852052	1	Split pin	
18		X	Cable	
19	3861927	2	Stud	
20	983643	3	Flange screw	
21	3861743	1	Bracket	
22	3861759	1	Flame shield	
23	3862463	3	Nut	
24	3858964	3	Stud	
25		1	· Washer	
26	3862064	1	Decal	5.7OSi
27	3861746	1	Cover	
28	3859006	2	· Grommet	
29	3859005	2	· Grommet	
30	3861747	1	Cover	