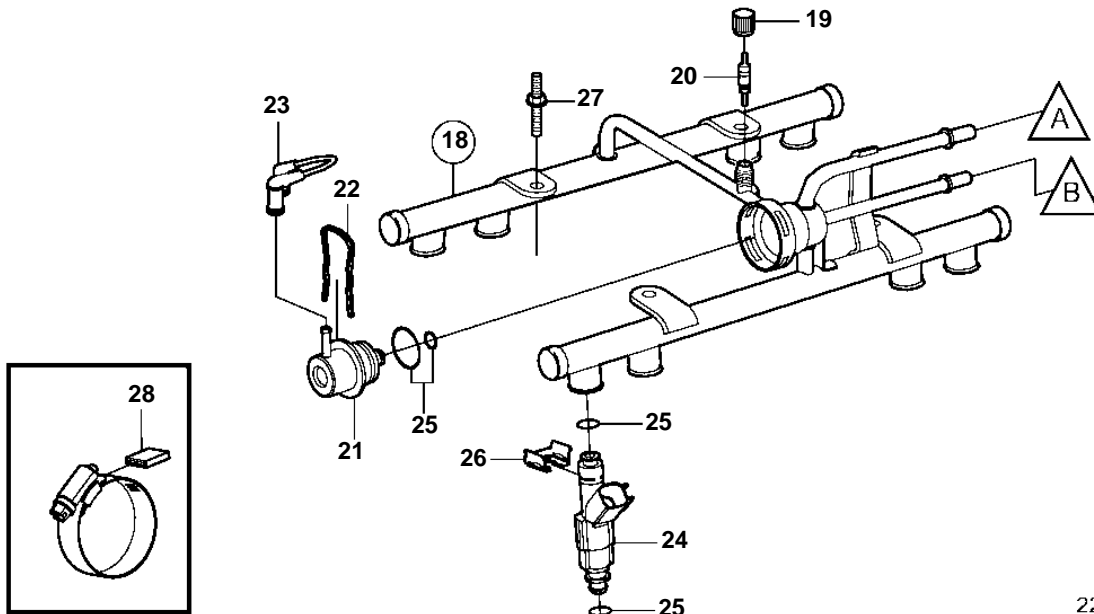
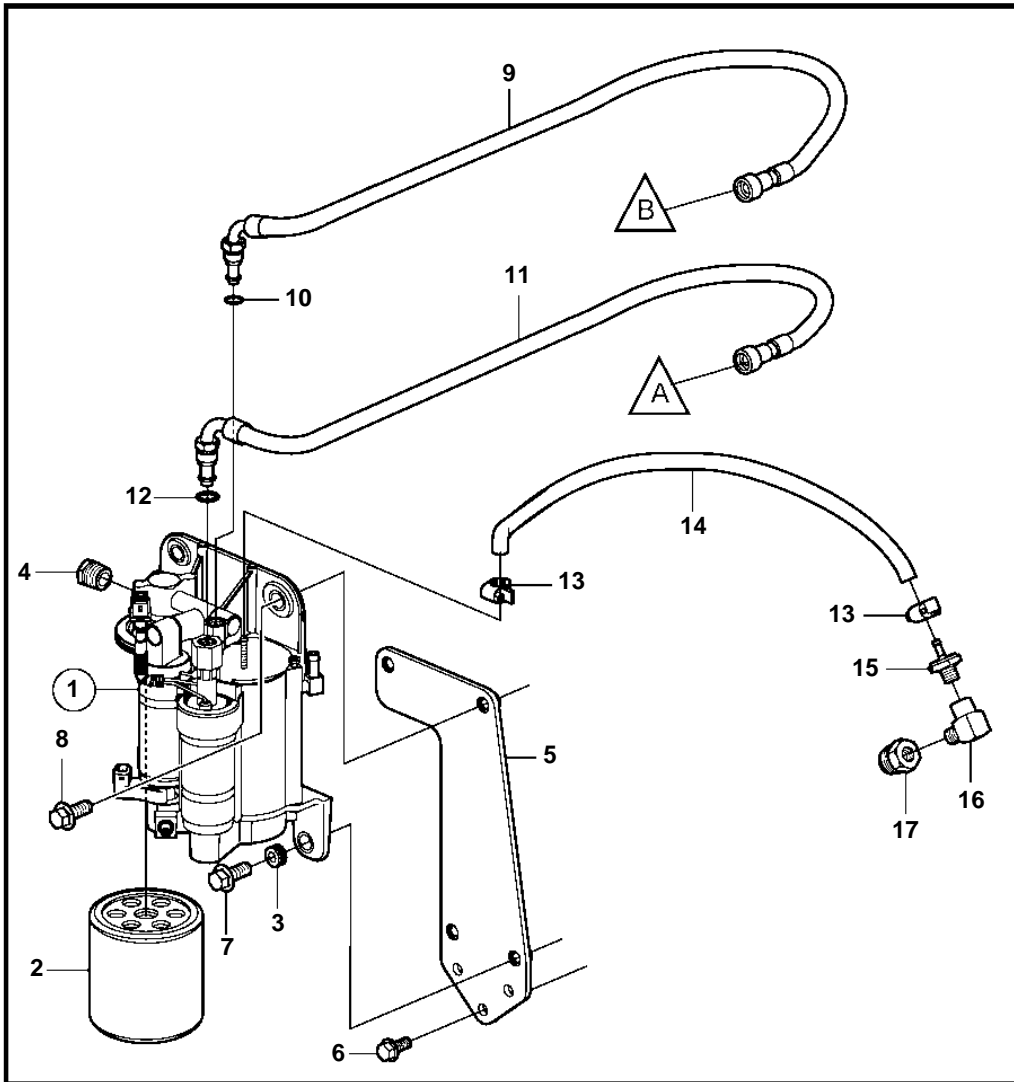


5.7GiI-E, 5.7GXil-F



5.7GiI-E, 5.7GXii-F

REF	PART NO.	QTY	DESCRIPTION	NOTES
1	3861355	1	Pump	
	3588865	1	· Fuel pump kit	HIGH PRESSURE PUMP
2	3862228	1	· Fuel filter	
3	3861396	4	· Rubber bushing	
4	3857816	1	Bushing	
5	3861043	1	Bracket	
6	3857146	3	Flange screw	
7	3860834	2	Screw	
8	3860834	2	Screw	
9	3861369	1	Fuel hose	
10	3850424	1	· O-ring	
11	3861370	1	Fuel hose	
12	3850423	1	· O-ring	
13	3860413	2	Hose clamp	
14	3860284	1	Hose	
15	3860290	1	Nipple	
16	16218	1	Elbow nipple	
17	3861926	1	Tube fitting	
18	3858966	1	Fuel pipe	
19	3858972	1	Cardboard tube	
20	3858971	1	Valve	
21	3858967	1	Fuel press regulator	
22	3858968	1	Clip	
23	3858974	1	Hose	
24	3858969	8	Injector	
25	3858981	X	O-ring	Includes 16 o-rings for injectors and 2 o-rings for pressure regulator.
26	3858970	8	Retainer	
27	3858973	4	Bolt	
28	3858532	X	Cover	W=0.465" (11.8mm)
	3861999	X	Cover	W=0.300" (7.6mm)