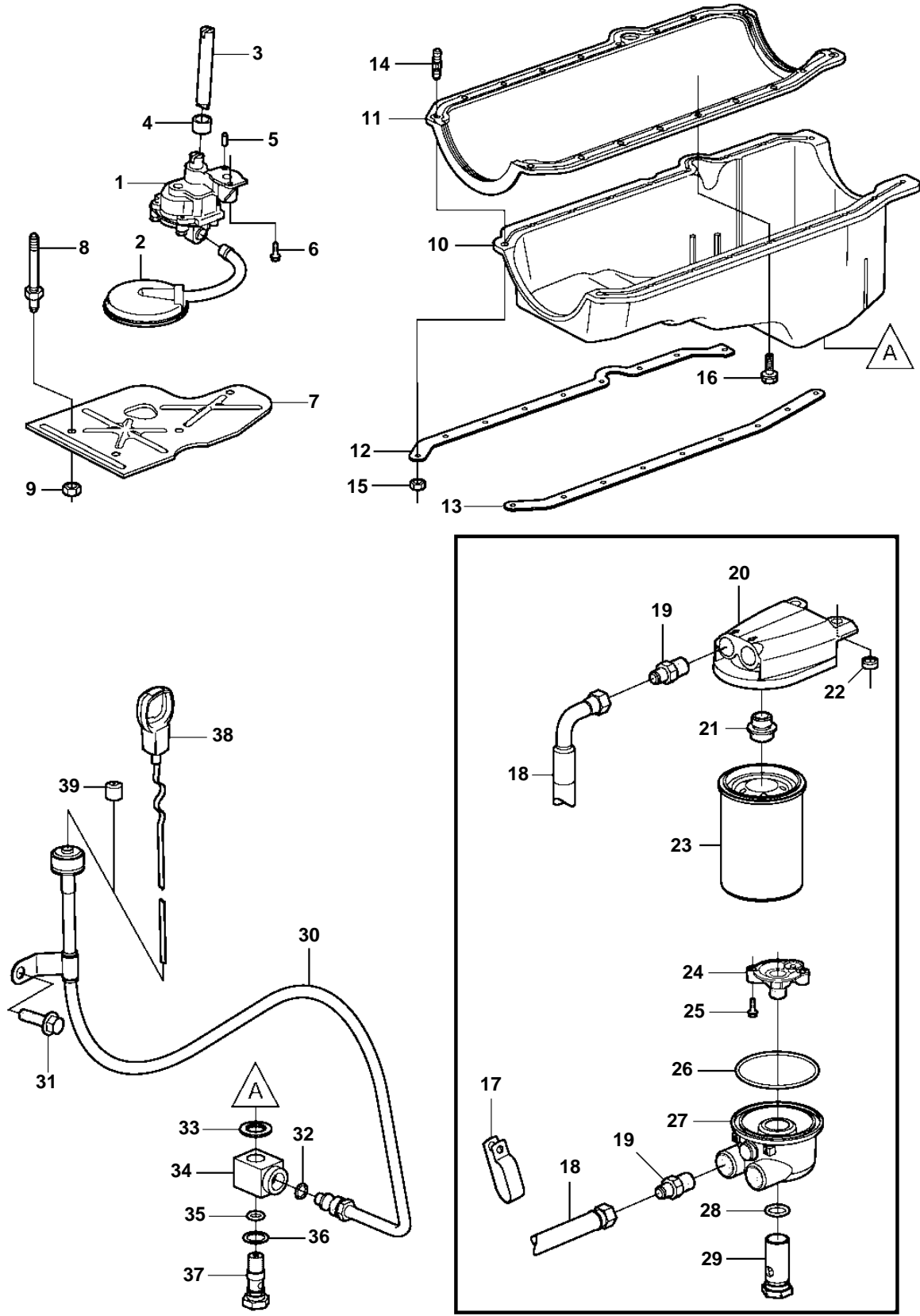


5.7GiI-E, 5.7GXil-F



5.7GiI-E, 5.7GXii-F

REF	PART NO.	QTY	DESCRIPTION	SEE SEC.	NOTES
1	3856125	1	Oil pump		
2	3856126	1	Strainer		
3	3853198	1	Shaft		
4	3853199	1	Retainer		
5	3855972	2	Pin		
6	3853234	1	Bolt		
7	3852744	1	Baffle		
8	3862354	6	Stud		
9	3857664	5	Nut		
10	3857778	1	Sump		
11	3856138	1	· Gasket kit		
12	3856121	1	Reinforcement		STARBOARD
13	3856120	1	Reinforcement		PORT
14	3853202	4	Stud		
15	3856930	4	Nut		
16	3852595	14	Bolt		
17	3860075	1	Clamp		
18	3862601	2	Hose assembly		
19	3860234	4	Fitting		
20	3860450	1	Adapter		
21	3852015	1	· Connector		
22	980933	1	Washer		
23	3850559	1	Filter		
			· Bulletin P-21-7-1	P-21-7-1-EN	Oil Filters, GM gas engines
24	3852219	1	Valve		
25	3852133	2	Screw		
26	3852470	1	O-ring		
27	3860060	1	Adapter		
28	3852089	1	O-ring		
29	3853495	1	Retainer		
30	3860402	1	Tube		PORT
	3863447	1	Tube		STARBOARD
31	946670	1	Flange screw		PORT
32	3852033	2	O-ring		
33	3851981	1	Washer		
34	3858475	1	Fitting		Earlier prod.
	888956	1	Fitting		LATER PROD
35	3853674	1	O-ring		
36	3852007	1	Washer		
37	3850822	1	Retainer		Earlier prod.
	888958	1	Retainer		LATER PROD
38	3862844	1	Gauge		
39	3863006	1	Cardboard tube		