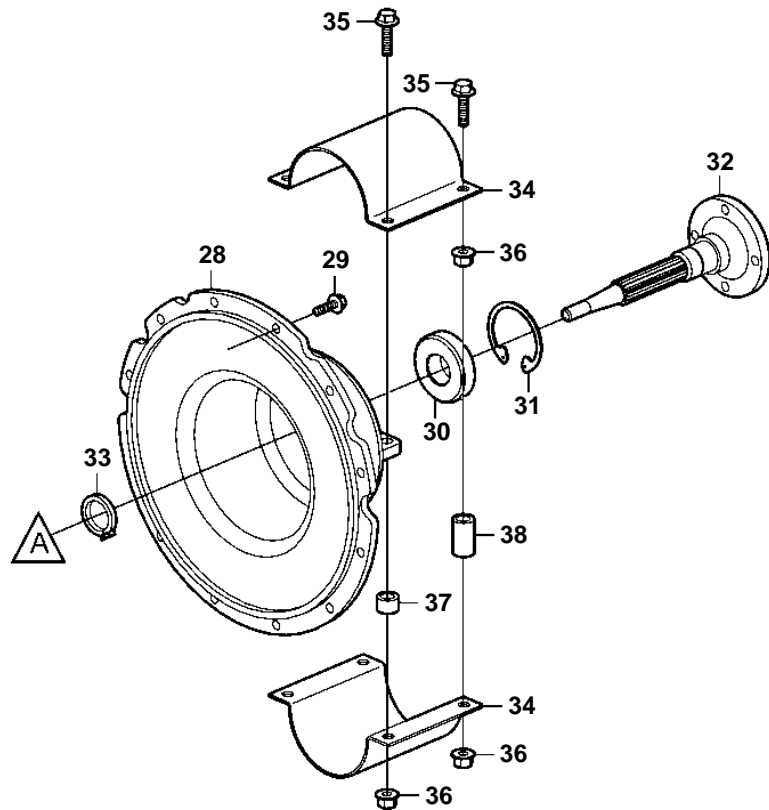
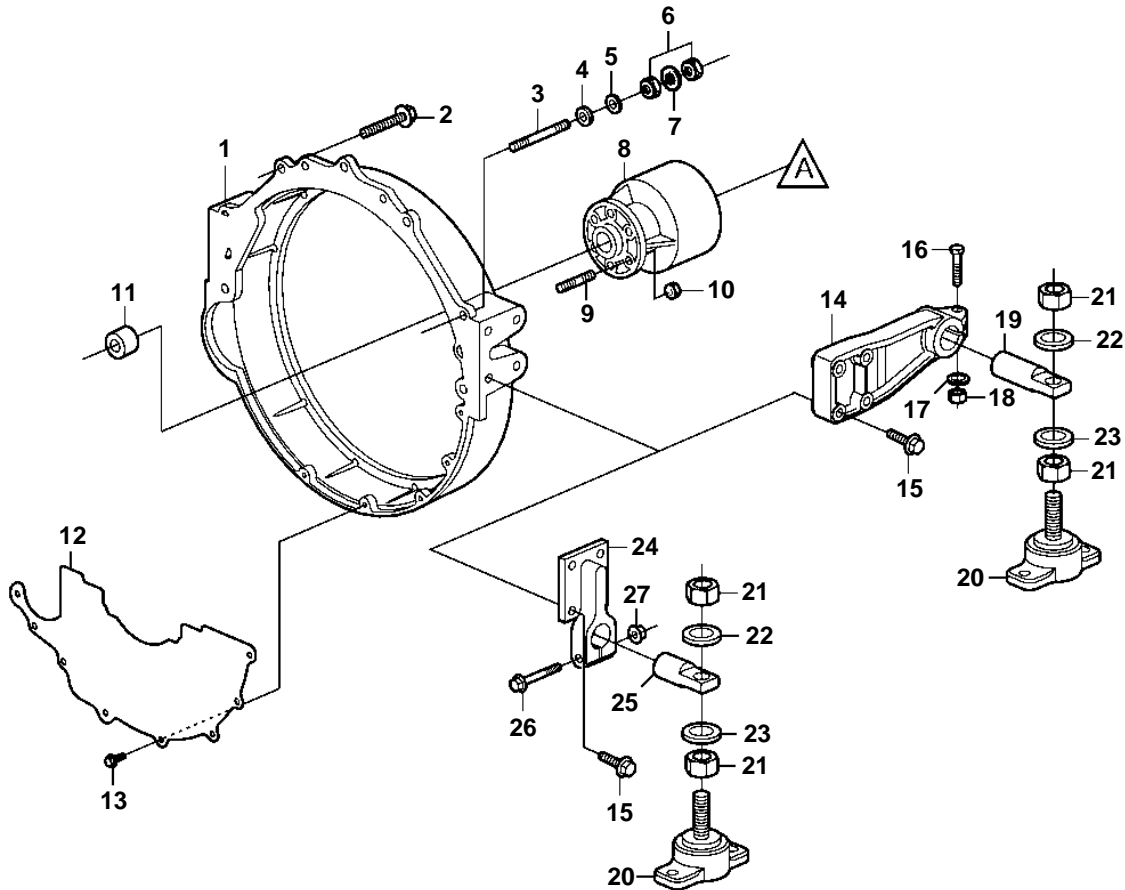


5.7Gi-E, 5.7Gi-EF, 5.7GXi-F, 5.7GXi-FF, 5.7OSi-D, 5.7OSi-DF, 5.7OSXi-D



19875

5.7Gi-E, 5.7Gi-EF, 5.7GXl-F, 5.7GXl-FF, 5.7OSi-D, 5.7OSi-DF, 5.7OSXi-D

REF	PART NO.	QTY	DESCRIPTION	NOTES
1	3851722	1	Flywheel housing	
2	3853367	4	Screw	
3	3862494	2	Stud	
4	980933	2	Washer	
5	3852046	2	Spring washer	
6	971074	4	Hexagon nut	
7	982679	2	Toothed washer	
8	3858437	1	Rubber coupling	
9	3861383	6	Stud	
10	3853273	6	Nut	
11	3860697	1	Bushing	
12	3854604	1	Cover	
13	3852421	6	Screw	
14	3851758	2	Adapter kit	Earlier prod.
15	965187	8	Flange screw	
16	955551	2	Hexagon screw	
17	941909	2	Spring washer	
18	950355	2	Lock nut	
19	841247	2	Dowel	
20	857251	2	Rubber cushion	
21	955860	4	• Hexagon nut	
22	955902	2	Washer	
23	941914	2	Spring washer	
24		2	Bracket	LATER PROD
25		2	Pin	
26	965222	2	Flange screw	
27	971098	2	Flange lock nut	
28	3851727	1	Bearing housing	
29	946752	11	Flange screw	
30	181877	1	Ball bearing	
31	914540	1	Snap ring	
32	3851724	1	Adapter kit	
33	914465	1	Snap ring	
34		2	Adapter kit	
35	965192	4	Flange screw	L=40mm
	948039	4	Flange screw	L=65mm
36	971099	6	Flange lock nut	Earlier prod.
	977938	4	Flange lock nut	LATER PROD
37	983740	8	Spacer sleeve	L=10mm
38	983741	4	Spacer sleeve	L=33mm