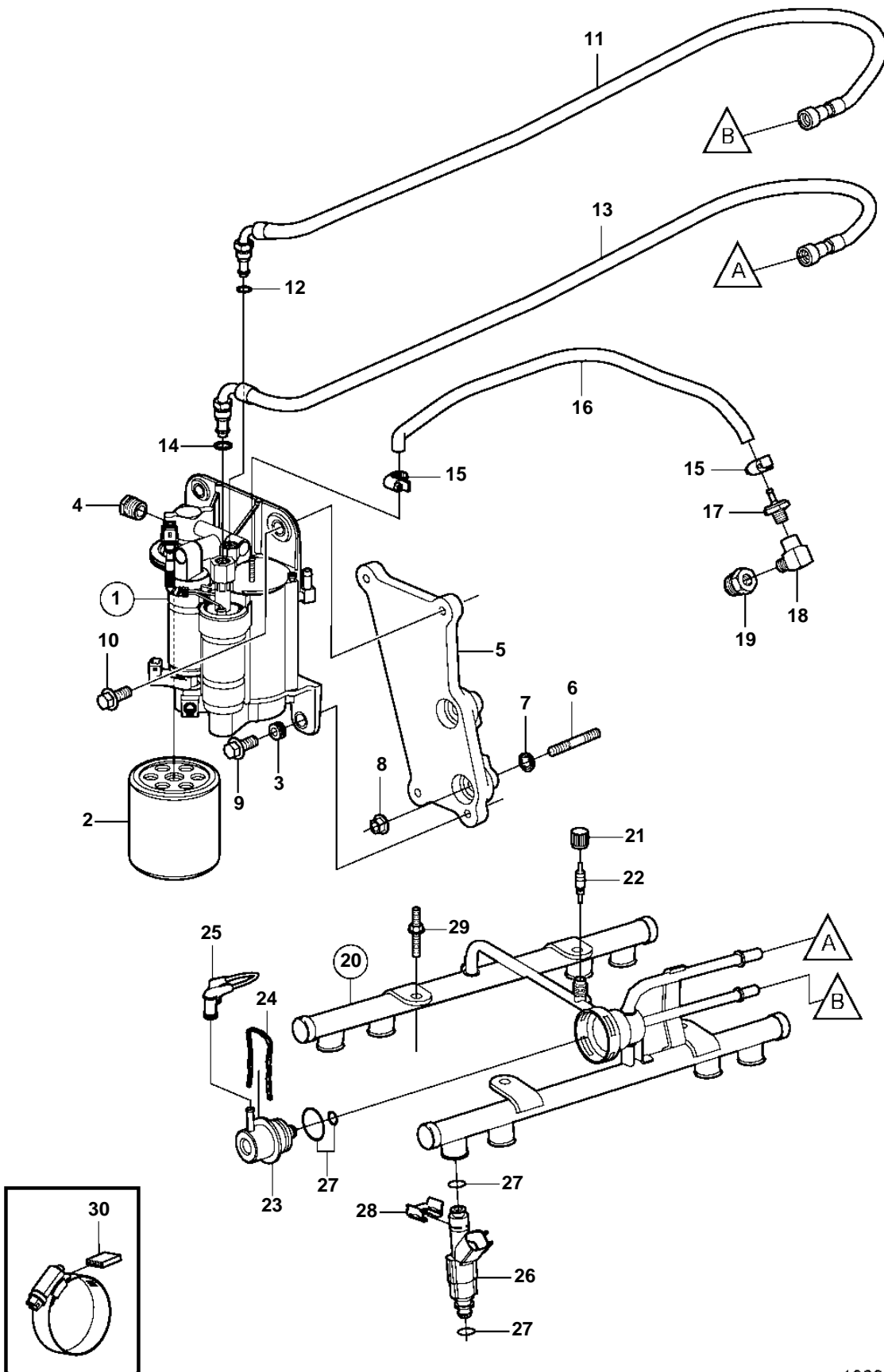


5.7Gi-E, 5.7Gi-EF, 5.7GXi-F, 5.7GXi-FF, 5.7OSi-D, 5.7OSi-DF, 5.7OSXi-D, 5.7OSXi-DF



19881

5.7Gi-E, 5.7Gi-EF, 5.7GXl-F, 5.7GXl-FF, 5.7OSi-D, 5.7OSi-DF, 5.7OSXi-D, 5.7OSXi-DF

REF	PART NO.	QTY	DESCRIPTION	NOTES
1	3861355	1	Pump	
	3588865	1	· Fuel pump kit	HIGH PRESSURE PUMP
2	3862228	1	· Fuel filter	
3	3861396	4	· Rubber bushing	
4	3857816	1	Bushing	
5	3861031	1	Bracket	
6	3860928	2	Stud	
7	3860538	2	Nut, speed	
8	3853404	2	Nut	
9	982702	2	Flange screw	
10	982702	2	Flange screw	Sea water cooling
	946472	2	Flange screw	FRESH WATER COOLING
11	3862635	1	Fuel pipe	
12	3850424	1	· O-ring	
13	3862634	1	Fuel hose	
14	3850423	1	· O-ring	
15	3860413	2	Hose clamp	
16	3862561	1	Hose	
17	3860290	1	Nipple	
18	16218	1	Elbow nipple	
19	3861926	1	Tube fitting	
20	3858966	1	Fuel pipe	
21	3858972	1	Cardboard tube	
22	3858971	1	Valve	
23	3858967	1	Fuel press regulator	
24	3858968	1	Clip	
25	3858974	1	Hose	
26	3858969	8	Injector	
27	3858981	X	O-ring	Includes 16 o-rings for injectors and 2 o-rings for pressure regulator.
28	3858970	8	Retainer	
29	3858973	4	Bolt	
30	3858532	X	Cover	W=0.465" (11.8mm)
	3861999	X	Cover	W=0.300" (7.6mm)