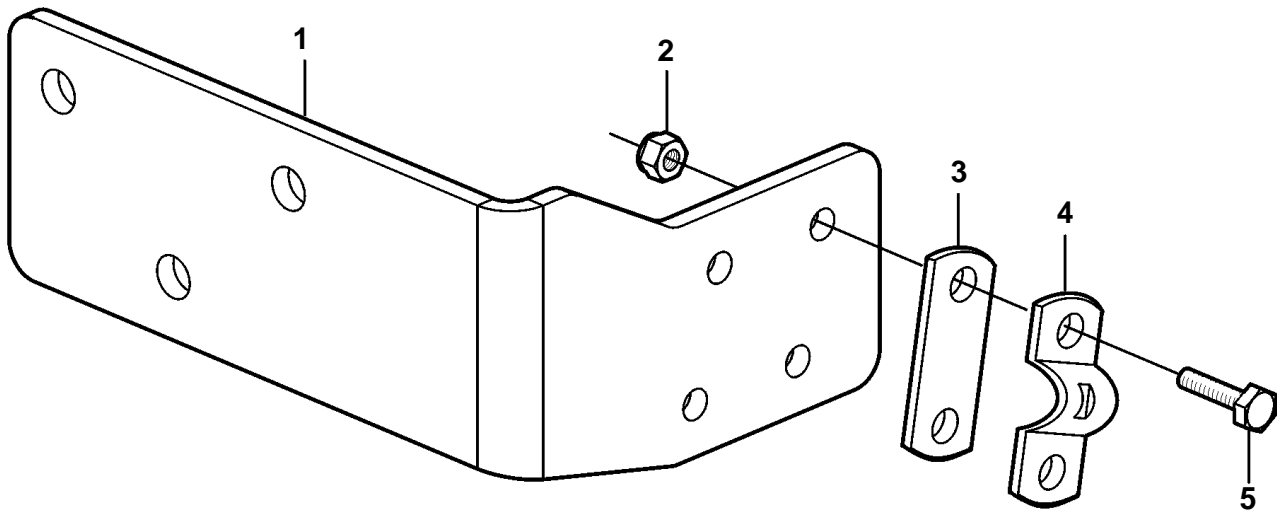
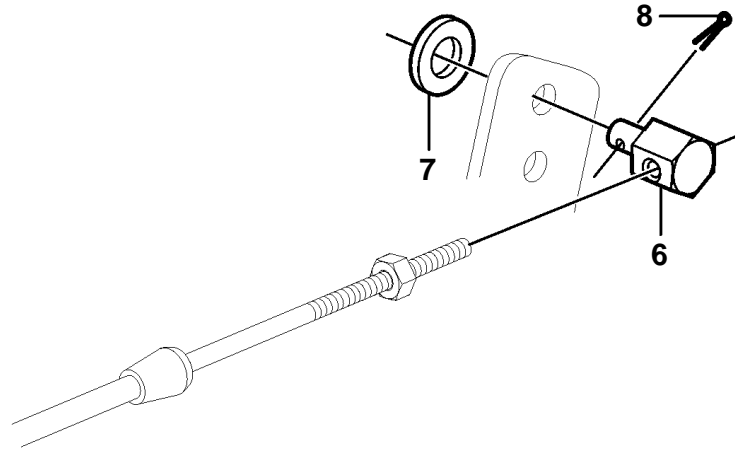


5.7GiI-C, 5.7GiI-D, 5.7GXii-D, 5.7GXii-E



5.7Giil-C, 5.7Giil-D, 5.7GXil-D, 5.7GXil-E

REF	PART NO.	QTY	DESCRIPTION
1		1	Bracket
2	946577	1	Lock nut
3	819068	1	Washer
4	21471054	1	Bracket
5	955246	1	Hexagon screw
6	833133	1	Cube
7	940191	1	Washer
8	3850065	1	Split pin