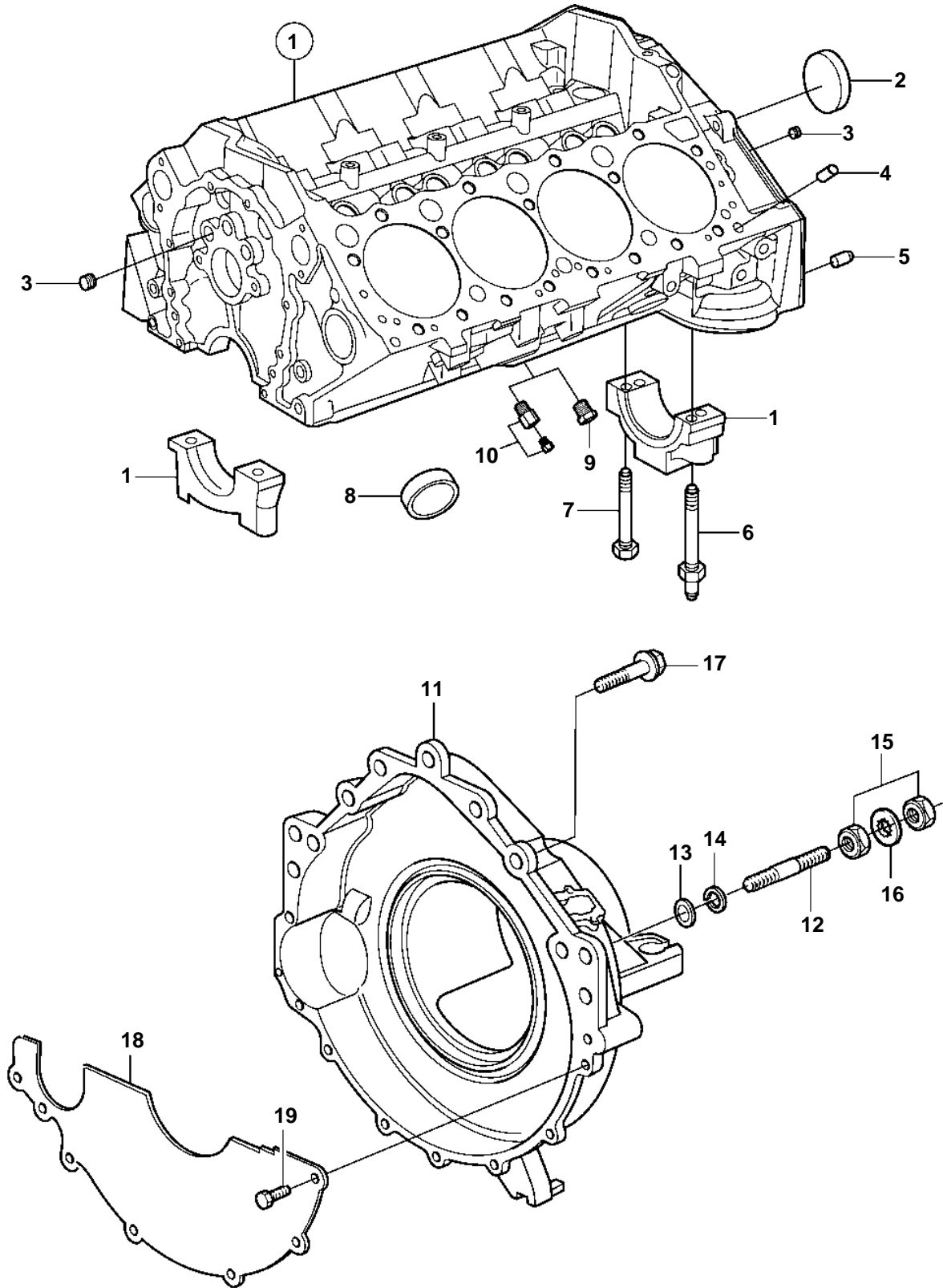


5.7Gi-C, 5.7Gi-CF, 5.7Gi-D, 5.7Gi-DF, 5.7GXi-D, 5.7GXi-DF, 5.7GXi-E, 5.7GXi-EF



5.7Gi-C, 5.7Gi-CF, 5.7Gi-D, 5.7Gi-DF, 5.7GXi-D, 5.7GXi-DF, 5.7GXi-E, 5.7GXi-EF

REF	PART NO.	QTY	DESCRIPTION	NOTES
1			Cylinder block	
2	3853209	1	• Core plug	
3	952075	X	• Plug	
4	3853114	4	• Locating pin, cylinder head	
5	3856001	2	• Pin, flywheel housing	
6	3862354	6	• Stud	
7	3862355	10	• Bolt	
8	3852100	8	Core plug	
9	3850802	X	Plug	
10	3854494	X	Drain cock	
11	3857846	1	Housing	
12	3850571	2	Stud	
13	980933	2	Washer	
14	3852002	2	Spring washer	
15	3852065	4	Nut	
16	3852070	2	Washer	
17	3860163	1	Screw	L=1.00" (25mm)
	3860582	3	Screw	L=1.25" (32mm)
18	3854604	1	Cover	
19	3852421	4	Screw	