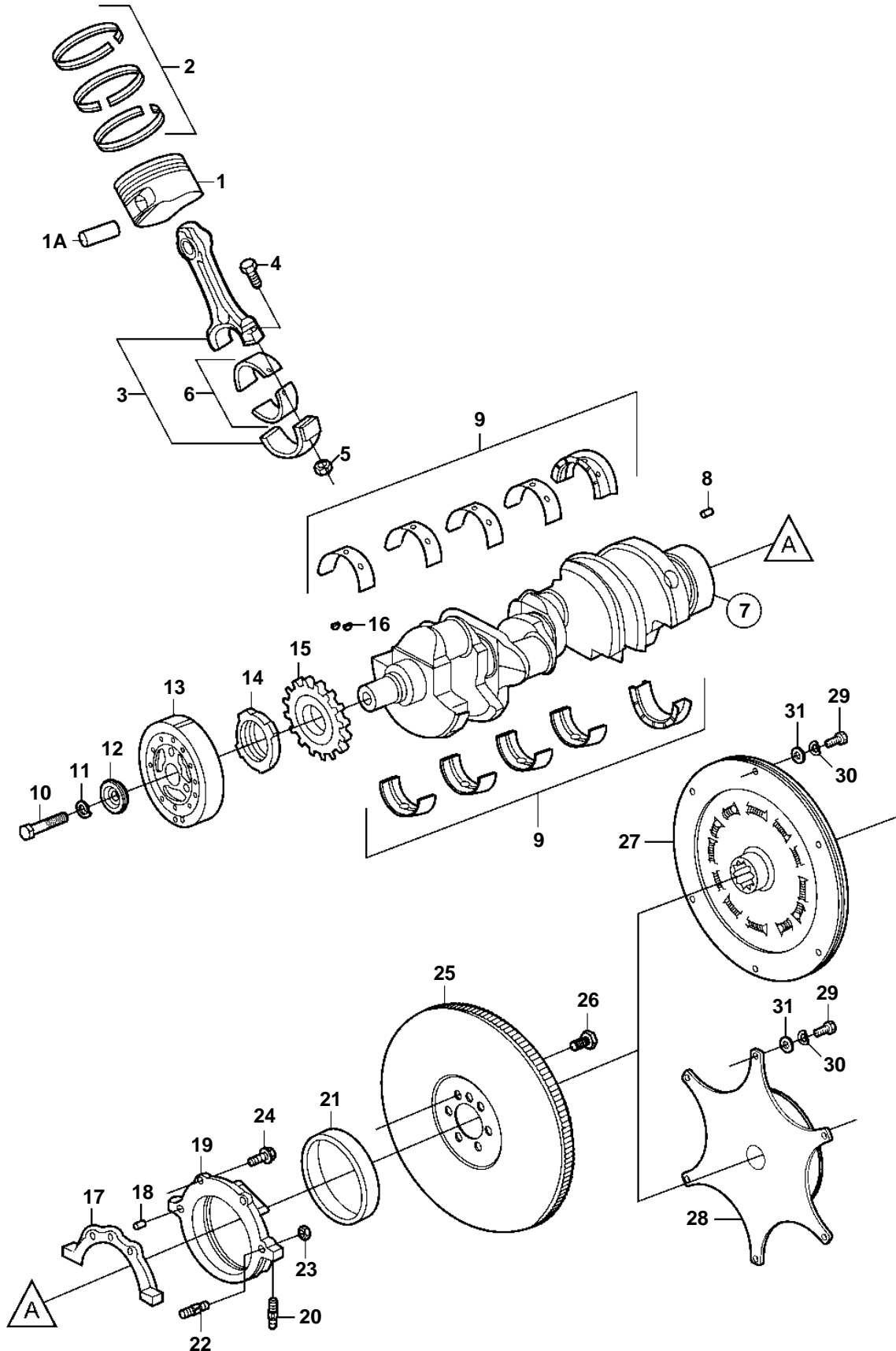


5.7GiI-C, 5.7GiI-D, 5.7GXii-D, 5.7GXii-E



## 5.7Giil-C, 5.7Giil-D, 5.7GXil-D, 5.7GXil-E

| REF | PART NO. | QTY | DESCRIPTION      | NOTES             |
|-----|----------|-----|------------------|-------------------|
| 1   | 3855742  | 8   | Piston           | Std               |
|     | 3855743  | X   | Piston           | O.S=0.50mm        |
| 1A  |          | 8   | · Pin            |                   |
| 2   | 3855740  | 8   | Piston ring      | Std               |
|     | 3855741  | X   | Piston ring      | O.S=0.50mm        |
| 3   | 3853957  | 8   | Connecting rod   |                   |
| 4   | 3853162  | 16  | · Bolt           |                   |
| 5   | 3853413  | 16  | · Nut            |                   |
| 6   | 3853149  | 8   | Bearing          |                   |
| 7   | 3856923  | 1   | Crankshaft       |                   |
| 8   | 3855969  | 1   | · Pin            |                   |
| 9   | 3862360  | 1   | Bearing kit      |                   |
| 10  | 949518   | 1   | Hexagon screw    |                   |
| 11  | 3852046  | 1   | Spring washer    |                   |
| 12  | 3858177  | 1   | Washer           |                   |
| 13  | 3862261  | 1   | Vibration damper |                   |
| 14  | 3862363  | 1   | Ring             |                   |
| 15  | 3852690  | 1   | Sprocket         |                   |
| 16  | 3852663  | 2   | Woodruff key     |                   |
| 17  | 3852656  | 1   | Gasket           |                   |
| 18  | 3856140  | 1   | Pin              |                   |
| 19  | 3856925  | 1   | Housing          |                   |
| 20  | 3853202  | 2   | · Stud           |                   |
| 21  | 3856926  | 1   | · Sealing        |                   |
| 22  | 3853205  | 1   | Stud             |                   |
| 23  | 3853206  | 1   | Nut              |                   |
| 24  | 3853203  | 2   | Bolt             | L=.875" (22.2mm)  |
|     | 3853204  | 1   | Bolt             | L=1.75" (44.5mm)  |
| 25  | 855833   | 1   | Flywheel         |                   |
|     | 3855970  | 1   | · Gear           |                   |
| 26  | 3856130  | 6   | Bolt             |                   |
| 27  | 3860981  | 1   | Vibration damper | HURTH 630D, BW72C |
| 28  | 3862300  | 1   | Rubber damper    | HURTH 630A, 630V  |
| 29  | 835482   | 6   | Screw            |                   |
| 30  | 942336   | 6   | Spring washer    |                   |
| 31  | 940097   | 6   | Washer           |                   |