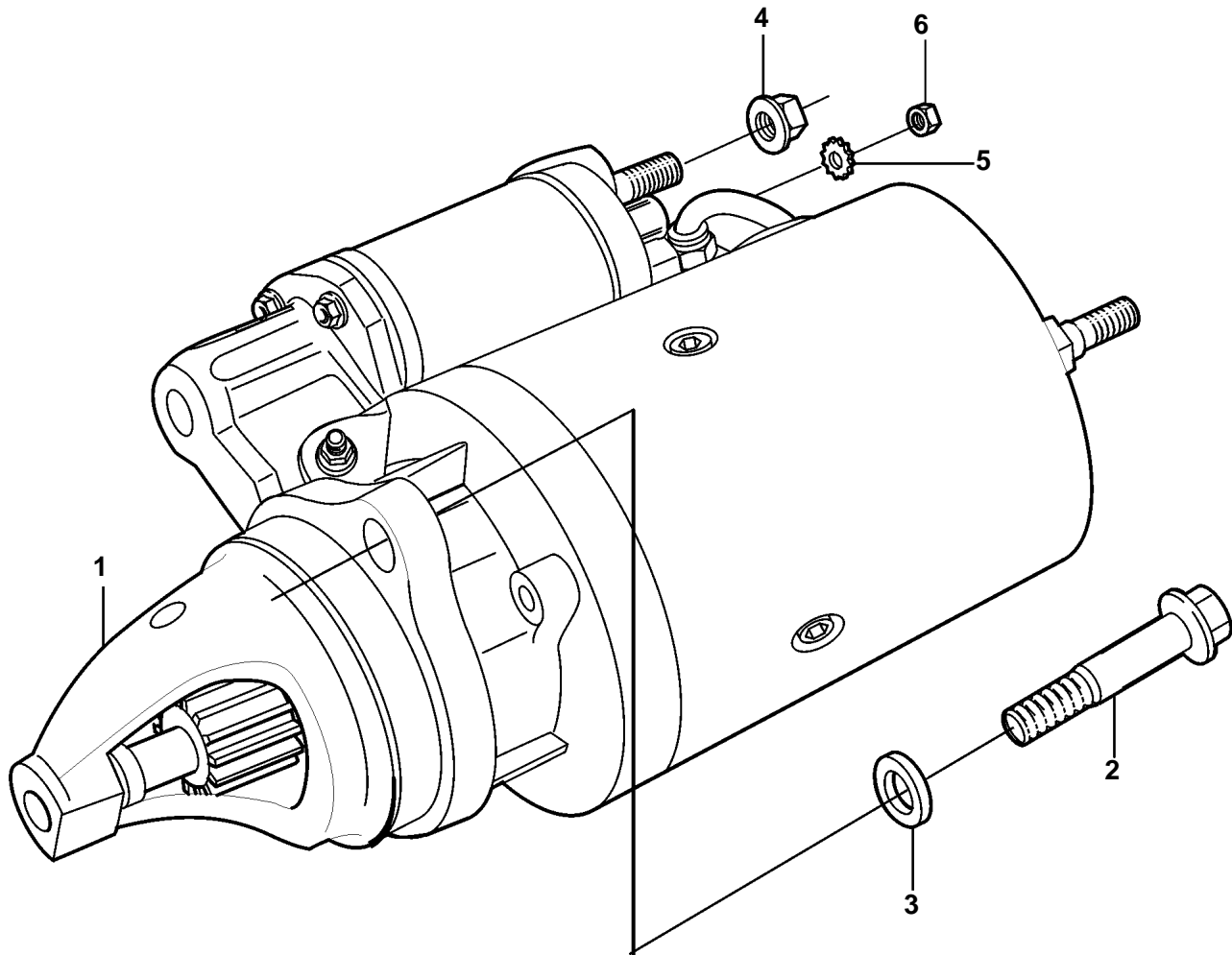


5.7GiI-C, 5.7GiI-D, 5.7GXii-D, 5.7GXii-E



5.7Giil-C, 5.7Giil-D, 5.7GXil-D, 5.7GXil-E

REF	PART NO.	QTY	DESCRIPTION
1	3862985	1	Starter motor
	3803147	1	Starter motor, exch, exch
2	940134	2	Hexagon screw
3	3852144	2	Washer
4	3853714	1	Nut
5	3852520	2	Washer
6	949874	2	Flange lock nut