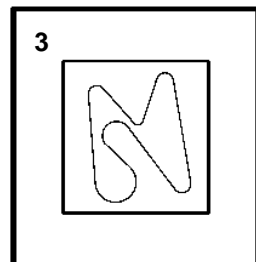
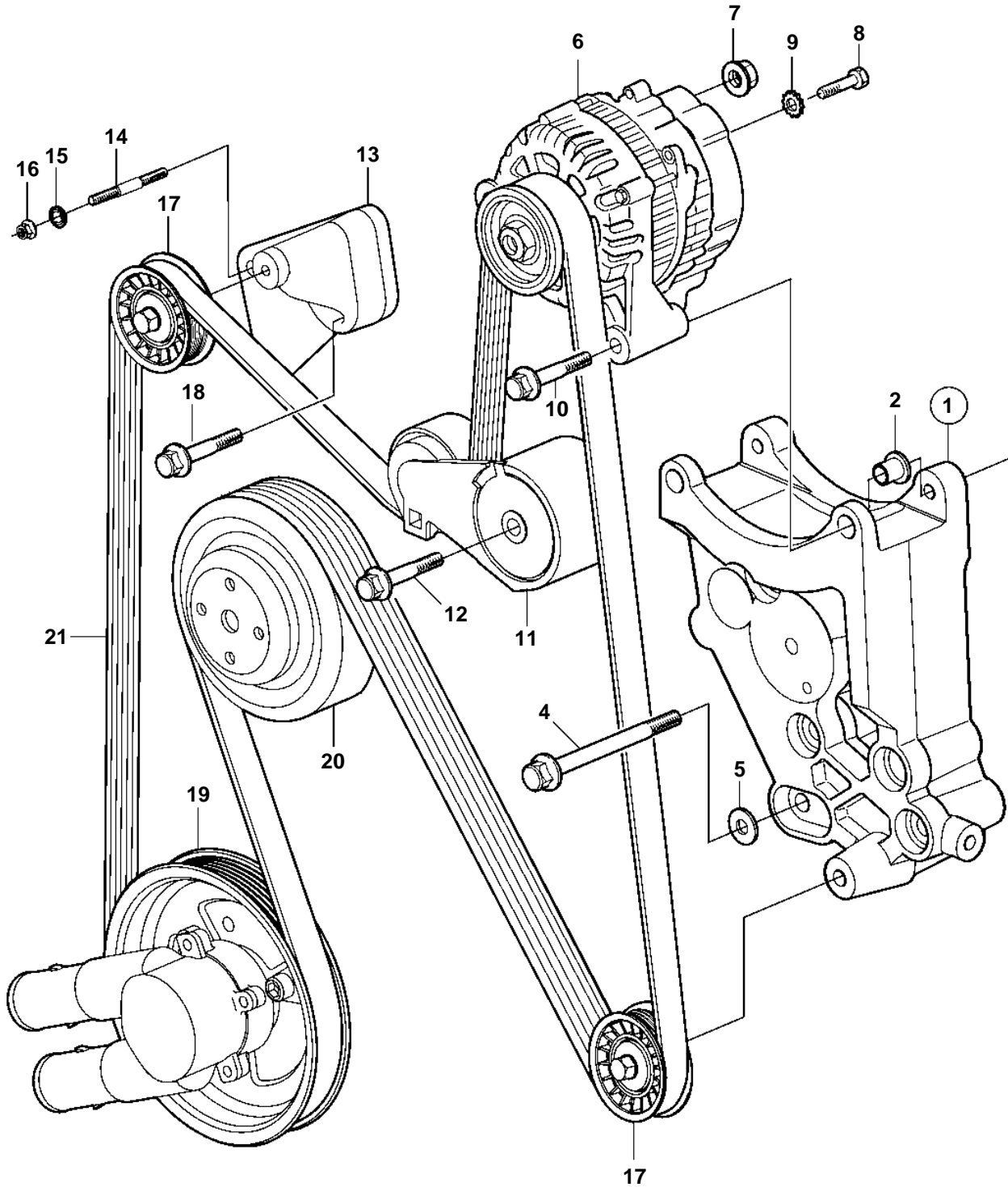


5.7GiI-C, 5.7GiI-D, 5.7GXii-D, 5.7GXii-E



5.7Giil-C, 5.7Giil-D, 5.7GXil-D, 5.7GXil-E

REF	PART NO.	QTY	DESCRIPTION	SEE SEC.
1	3863178	1	Bracket	
2	3854579	2	· Bushing	
3	3861668	1	Decal	
4	3853392	3	Screw	
5	980933	2	Washer	
6	3862613	1	Alternator	
7	3853714	1	Nut	
8	3852208	1	Screw	
9	3852520	1	Washer	
10	965189	2	Flange screw	
11	3860079	1	Belt tensioner	
12	965223	1	Flange screw	
13	3860078	1	Bracket	
14	3860928	2	Stud	
15	3860538	2	Nut, speed	
16	3853404	2	Nut	
17	3860201	2	Idler pulley	
18	3860285	1	Screw	
19		1	Sea water pump	6590
20		1	Pulley, circulation pump	6624
21	3861500	1	Belt	