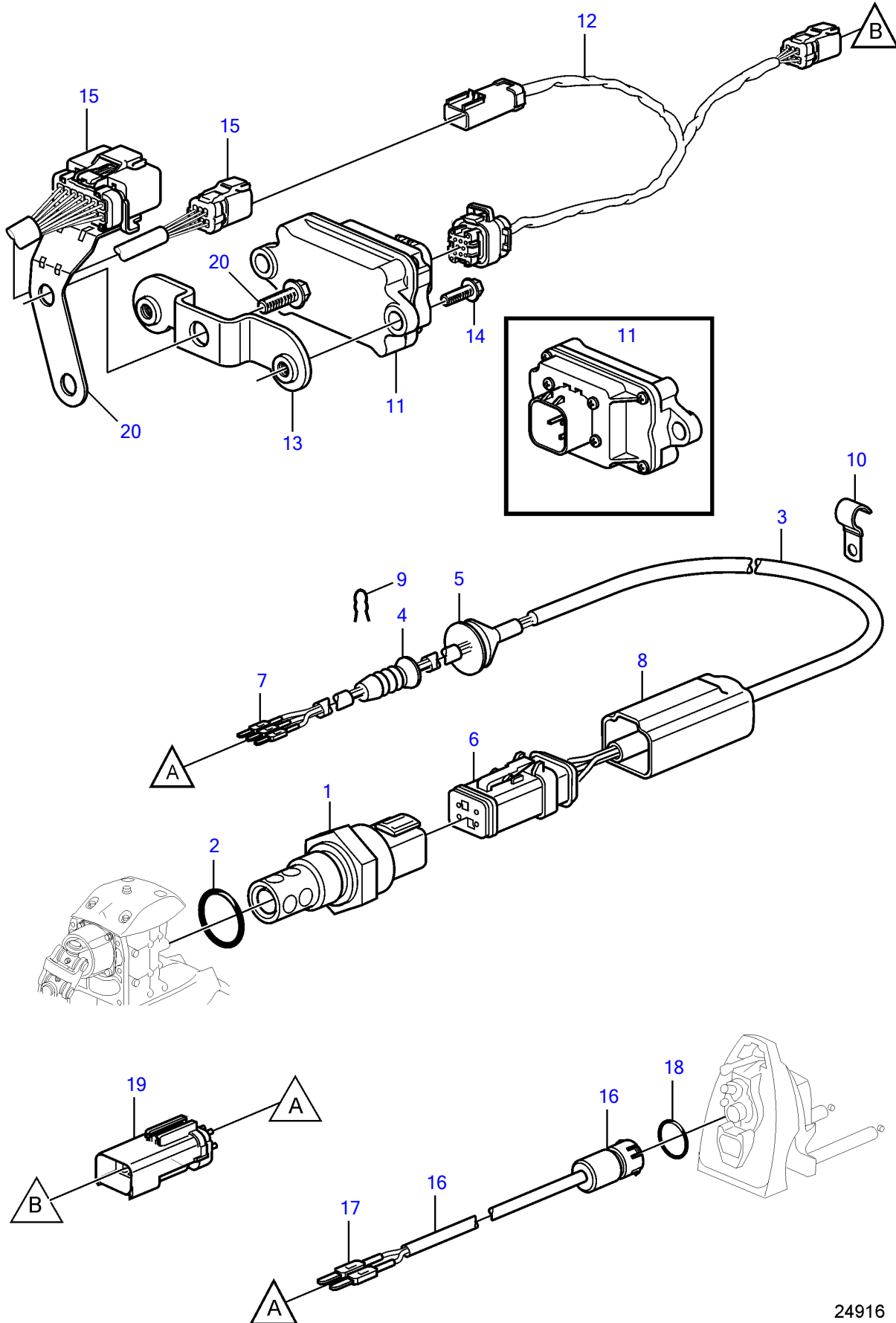


5.7Gi-300-R, 5.7GXl-320-R



5.7Gi-300-R, 5.7GXl-320-R

| REF | PART NO. | QTY | DESCRIPTION | NOTES |
|-----|----------|-----|-----------------------|--|
| 1 | 21174634 | 1 | Sensor | WID- water in drive oil |
| 2 | | 1 | • O-ring | not sold separately |
| 3 | 21124251 | 1 | Wiring harness | |
| 4 | | 1 | • Plug | not sold separately |
| 5 | | 1 | • Grommet | not sold separately |
| 6 | | 1 | • Connector housing | |
| | | 1 | • • Seal | not sold separately |
| 7 | | 3 | • Terminal | not sold separately |
| 8 | | 1 | • Boot | not sold separately |
| 9 | 3852555 | 1 | Retainer | |
| 10 | 21174636 | 6 | Attaching clamp | |
| 11 | 21206915 | 1 | Module | |
| 12 | 21206919 | 1 | Wiring harness | |
| | | 3 | • Connector housing | not sold separately |
| | | X | • Terminal | not sold separately |
| 13 | 21210873 | 1 | Bracket | |
| 14 | 946544 | 2 | Flange screw | |
| 15 | | X | Cable harness, engine | |
| 16 | 21292836 | 1 | Sensor | WIB - water in bellows |
| | | 1 | • Housing | not sold separately |
| 17 | | 2 | • Terminal | not sold separately |
| 18 | 3852033 | 1 | • O-ring | |
| 19 | | 1 | Connector housing | |
| 20 | | X | | See engine catalog, "Engine Harness" section |