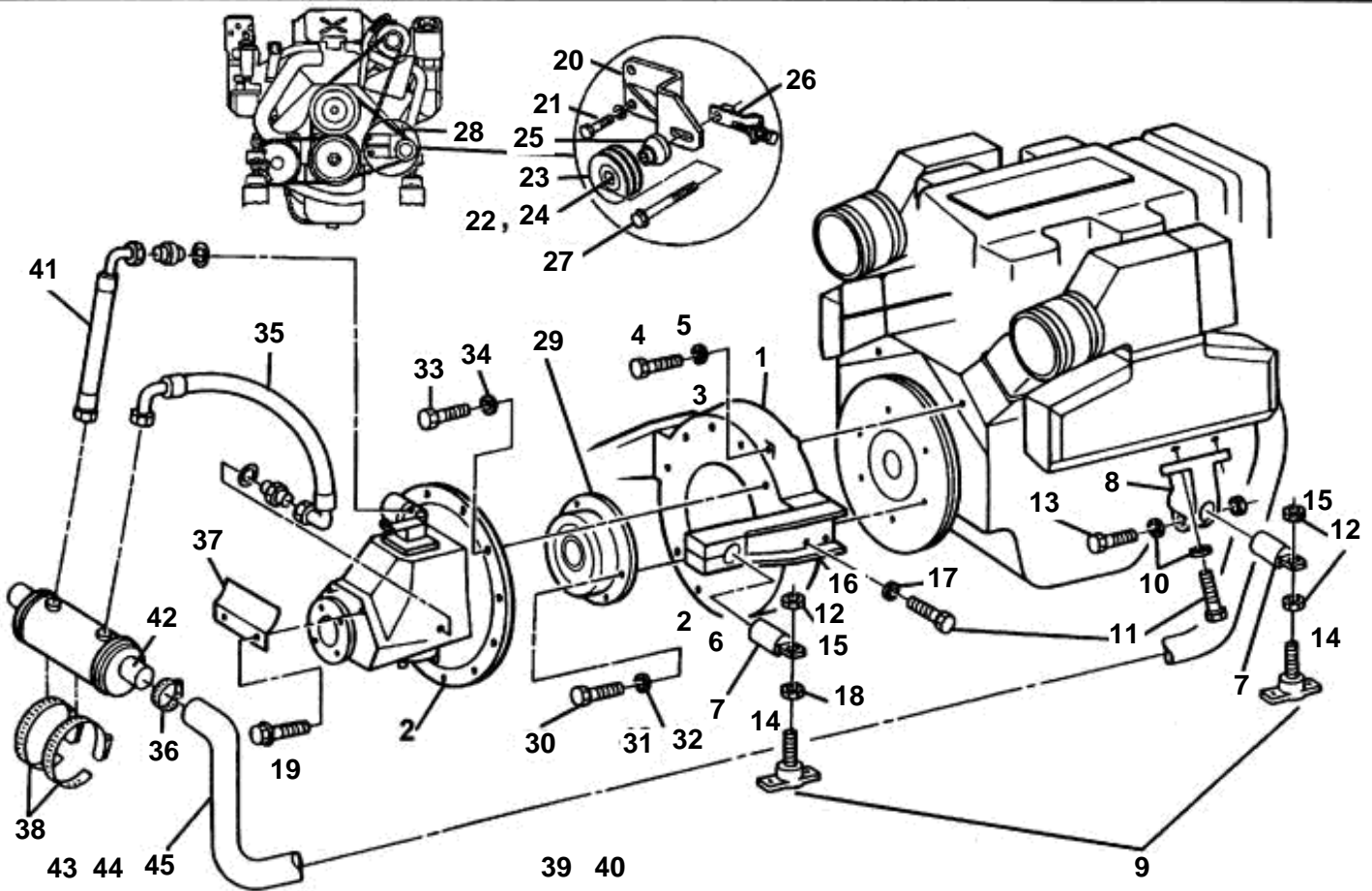


5.7GLIMDA, 5.7GIIMDA



5.7GLIMDA, 5.7GIIMDA

| REF | PART NO. | QTY | DESCRIPTION | NOTES |
|-----|----------|-----|---------------------------------|--------------------------|
| 1 | 857334 | 1 | Flywheel housing | |
| | | 1 | Cover plate | Not shown, Part not sold |
| 2 | | 1 | Transmission | See HS1A catalog |
| 3 | 943589 | 1 | Plug | Not shown |
| 4 | 955542 | 6 | Screw, Flywheel housing | |
| 5 | 942336 | 6 | Spring washer, Flywheel housing | |
| 6 | 947224 | 4 | Screw, cover plate | Not shown |
| 7 | 841247 | 4 | Pin, Engine mount | |
| 8 | | 2 | Engine mountings | |
| 9 | 857251 | 4 | Rubber cushion, Rubber | |
| 10 | 941914 | 6 | Spring washer | |
| 11 | 955535 | 6 | Screw, Mount bracket to engine | Front |
| | 946472 | 8 | Screw, Mount brkt. to engine | Rear |
| 12 | 950355 | 4 | Nut | |
| 13 | 955551 | 2 | Screw | |
| 14 | 955902 | 6 | Washer, Large | Not shown |
| 15 | 955896 | 2 | Washer, Small | Not shown |
| 16 | | 2 | Engine mountings | |
| 17 | 941909 | 2 | Spring washer, Rear mount | |
| 18 | 955860 | 2 | Nut, Rear mount | |
| 19 | 955552 | 2 | Screw | |
| 20 | | 1 | Bracket, Belt tensioner | |
| 21 | 944429 | 2 | Flange screw | |
| 22 | 181875 | 1 | Ball bearing, Tensioner | |
| 23 | 861558 | 1 | Pulley, Tensioner | |
| 24 | 914526 | 1 | Snap ring | |
| 25 | | 1 | Sleeve | |
| 26 | 861672 | 1 | Tensioner | |
| 27 | 965187 | 1 | Screw, Tensioner | |
| 28 | 3853368 | 1 | V-belt | |
| 29 | 855656 | 1 | Vibration damper | |
| 30 | 835482 | 6 | Screw | |
| 31 | 940097 | 6 | Washer, Damper | |
| 32 | 942336 | 6 | Spring washer, Damper | |
| 33 | 946752 | 11 | Flange screw | |
| 34 | 941908 | 11 | Spring washer | |
| 35 | 3851872 | 1 | Hose, Pump to cooler | |
| 36 | 961669 | 2 | Hose clamp | |
| 37 | | 1 | Bracket | |
| 38 | 857045 | 1 | Clamp | |
| 39 | 946440 | 1 | Flange screw | Not shown |
| 40 | 948645 | 1 | Lock nut | Not shown |
| 41 | 3852332 | 1 | Hose, Oil cooler to pump | |
| 42 | | 1 | Oil cooler | See HS1A catalog |
| 43 | 3851911 | 1 | Bushing | Not shown |
| 44 | | 1 | Clamp, Oil cooler | Not shown |
| 45 | 3851910 | 1 | Tube | |