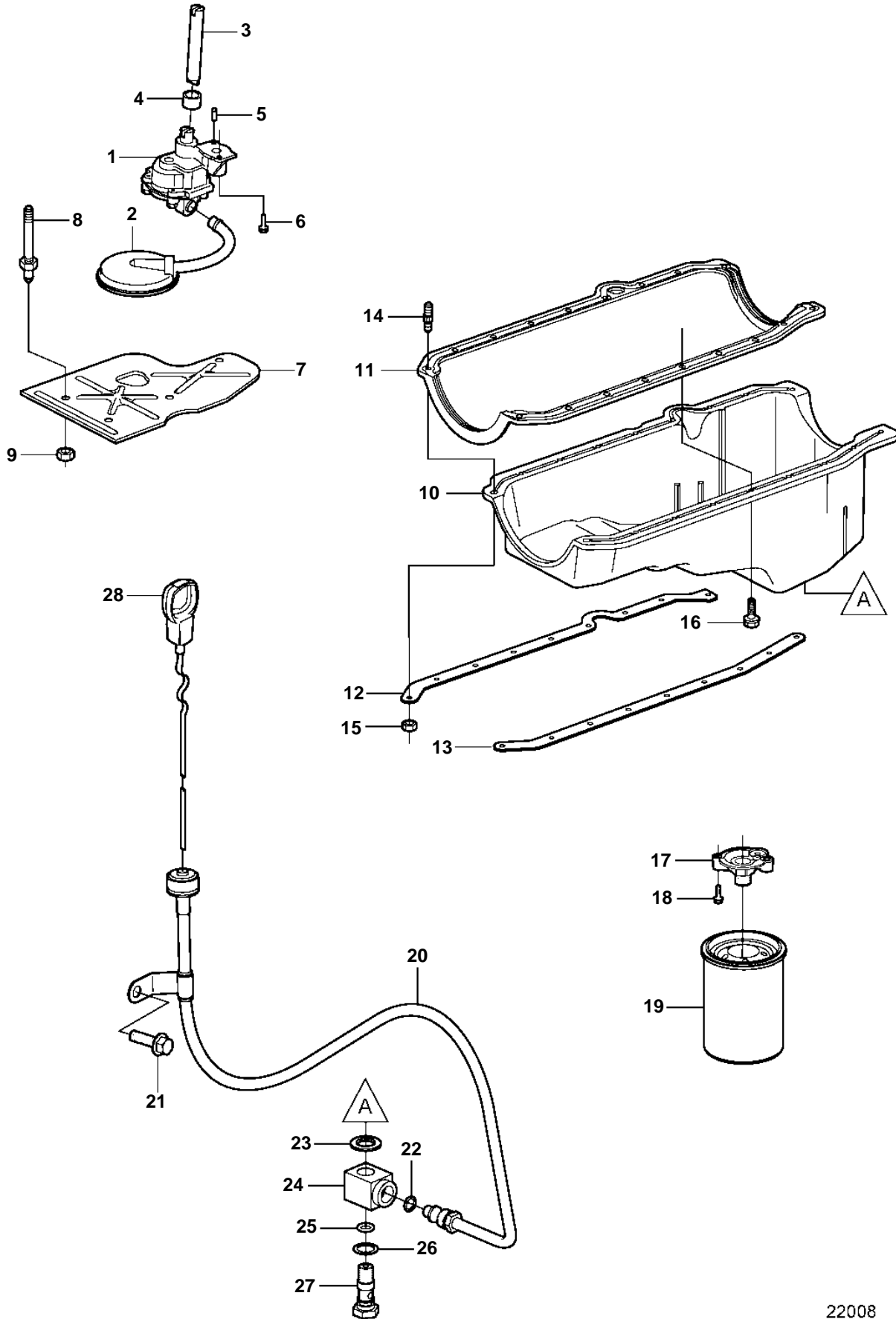


5.7GL-C, 5.7GL-D, 5.0GL-C, 5.0GL-D



5.7GL-C, 5.7GL-D, 5.0GL-C, 5.0GL-D

REF	PART NO.	QTY	DESCRIPTION	SEE SEC.	NOTES
1	3856125	1	Oil pump		
2	3856126	1	Strainer		
3	3853198	1	Shaft		
4	3853199	1	Retainer		
5	3855972	2	Pin		
6	3853234	1	Bolt		
7	3852744	1	Baffle		
8	3862354	6	Stud		
9	3857664	5	Nut		
10	3857778	1	Sump		
11	3856138	1	· Gasket kit		
12	3856121	1	Reinforcement		STARBOARD
13	3856120	1	Reinforcement		PORT
14	3853202	4	Stud		
15	3856930	4	Nut		
16	3852595	14	Bolt		
17	3852219	1	Valve		
18	3852133	2	Screw		
19	3850559	1	Filter		
			· Bulletin P-21-7-1	P-21-7-1-EN	Oil Filters, GM gas engines
20	3850249	1	Tube		PORT
21	3853557	1	Screw		
22	3852033	1	O-ring		
23	3851981	1	Washer		
24	3855112	1	Fitting		
25	3853674	1	O-ring		
26	3852007	1	Washer		
27	3850822	1	Retainer		
28	3862844	2	Gauge		