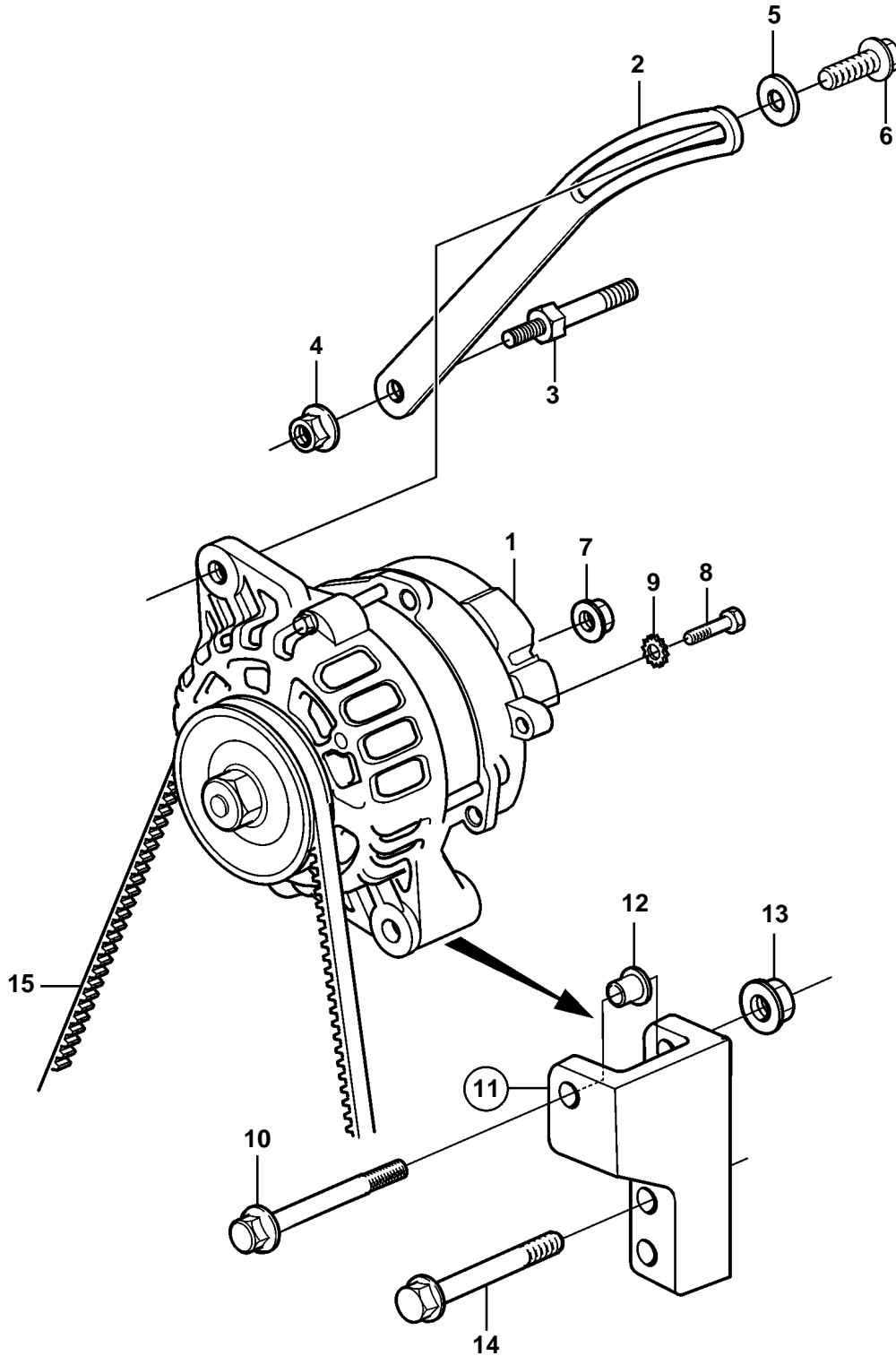


5.7GL-C, 5.7GL-D, 5.0GL-C, 5.0GL-D



5.7GL-C, 5.7GL-D, 5.0GL-C, 5.0GL-D

| REF | PART NO. | QTY | DESCRIPTION |
|-----|----------|-----|-----------------|
| 1 | 3862612 | 1 | Alternator |
| 2 | 3855600 | 1 | Tensioner |
| 3 | 3856147 | 1 | Stud |
| 4 | 3853403 | 1 | Nut |
| 5 | 3852054 | 1 | Washer |
| 6 | 3853399 | 1 | Screw |
| 7 | 3853714 | 1 | Nut |
| 8 | 3852208 | 1 | Screw |
| 9 | 3852520 | 1 | Washer |
| 10 | 3853367 | 1 | Screw |
| 11 | 3861465 | 1 | Bracket |
| 12 | 3854579 | 2 | · Bushing |
| 13 | 3857181 | 1 | Flange lock nut |
| 14 | 3853547 | 2 | Screw |
| 15 | 978547 | 1 | V-belt |