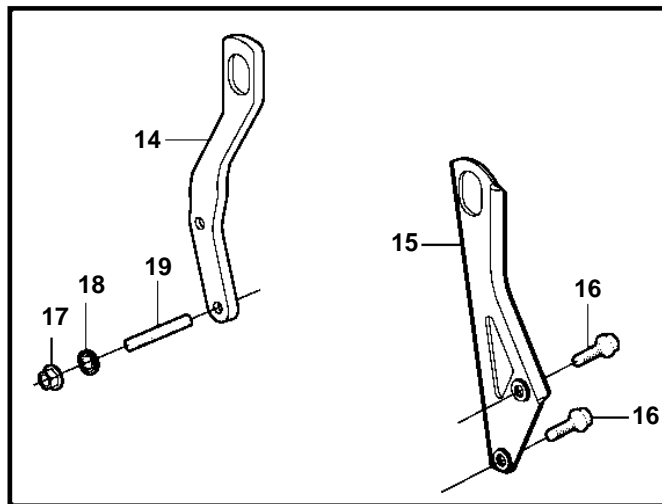
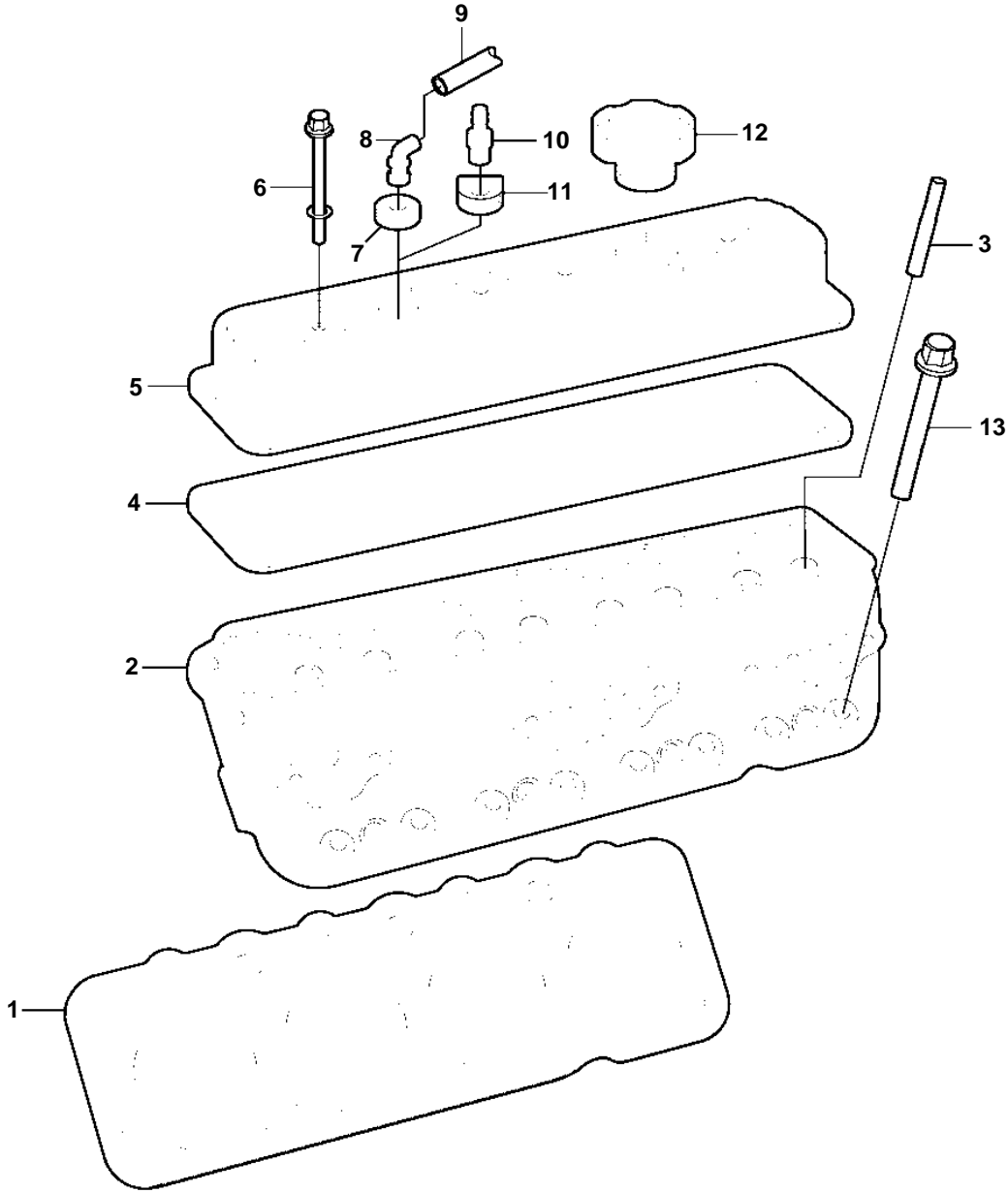


5.0GiCE-J, 5.0GiCE-JF, 5.0GXiCE-J, 5.0GXiCE-JF, 5.0GiCE-M, 5.0GiCE-MF, 5.0GXiCE-M, 5.0GXiCE-MF



24305

5.0GiCE-J, 5.0GiCE-JF, 5.0GXiCE-J, 5.0GXiCE-JF, 5.0GiCE-M, 5.0GiCE-MF, 5.0GXiCE-M, 5.0GXiCE-MF

| REF | PART NO. | QTY | DESCRIPTION | NOTES |
|-----|----------|-----|----------------------|-----------------------|
| 1 | 3853380 | 2 | Cylinder head gasket | |
| 2 | 3857663 | 2 | Cylinder head | |
| 3 | | 16 | • Stud, rocker arm | Part not sold |
| | 3853146 | 1 | Stud | O.S=.003" (0.076mm) |
| | | 1 | Stud | O.S=.013" (0.330mm) |
| 4 | 3852687 | 2 | Gasket | |
| 5 | 3856928 | 1 | Valve cover | Starboard |
| | 3856927 | 1 | Valve cover | Port |
| 6 | 3856135 | 8 | Bolt | |
| 7 | 3852103 | 1 | Grommet | |
| 8 | 3852104 | 1 | Elbow | |
| 9 | | 1 | Hose | |
| 10 | 3861989 | 1 | Hose | Crankcase ventilation |
| 11 | 3862296 | 1 | Grommet | |
| 12 | 3854008 | 1 | Oil filler cap | |
| 13 | 3856122 | 14 | Bolt | L=3 51/64" (96mm) |
| | 3856123 | 4 | Bolt | L=3 1/16" (78mm) |
| | 3856124 | 16 | Bolt | L=1.62" (41mm) |
| 14 | 3862594 | 1 | Bracket | Starboard |
| 15 | 3886511 | 1 | Bracket | Port |
| 16 | | 2 | Screw | |
| 17 | 3853404 | 2 | Nut | |
| 18 | 3860538 | 2 | Nut, speed | |
| 19 | 3860928 | 2 | Stud | |