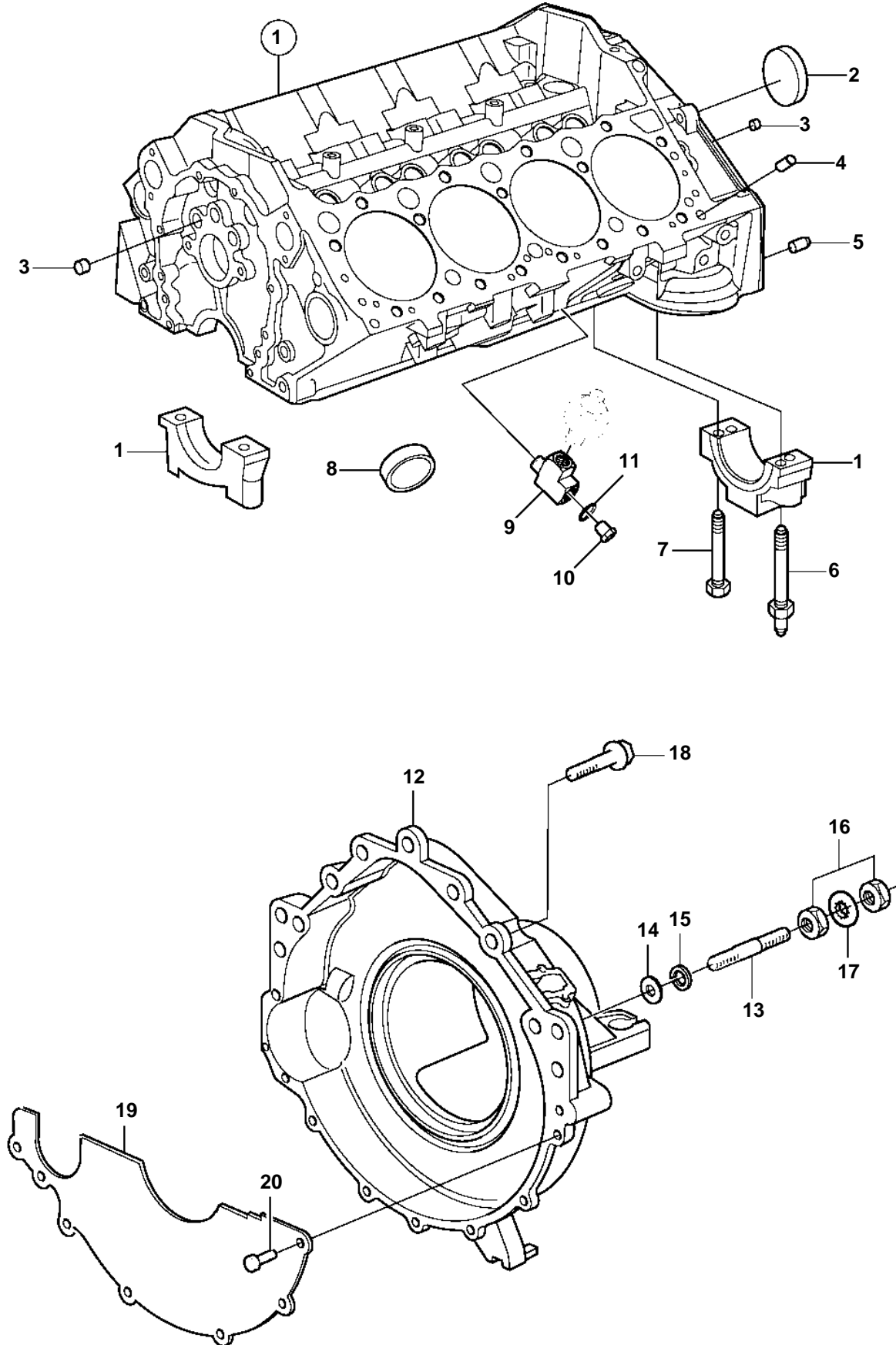


5.0GiCE-JF, 5.0GXiCE-JF, 5.0GiCE-MF, 5.0GXiCE-MF



5.0GiCE-JF, 5.0GXiCE-JF, 5.0GiCE-MF, 5.0GXiCE-MF

REF	PART NO.	QTY	DESCRIPTION	NOTES
1		1	Cylinder block	See "Longblock" section
2	3853209	1	• Core plug	
3	952075	X	• Plug	
4	3853114	4	• Locating pin, cylinder head	
5	3856001	2	• Pin, flywheel housing	
6	3862354	6	• Stud	
7	3862355	10	• Bolt	
8	3852100	8	Core plug	
9	3593571	1	Fitting	Port
	3849477	1	Fitting	Starboard
10	40005082	2	Plug	
11		2	• O-ring	not sold separately
12	3808573	1	Flywheel housing	
13	3850571	2	Stud	
14	980933	2	Washer	
15	3852002	2	Spring washer	
16		4	Nut	
17		4	Washer	
18	3853392	2	Screw	L=2.50" (64mm)
	3860582	3	Screw	L=1.25" (32mm)
19	3854604	1	Cover	
20	3852421	4	Screw	