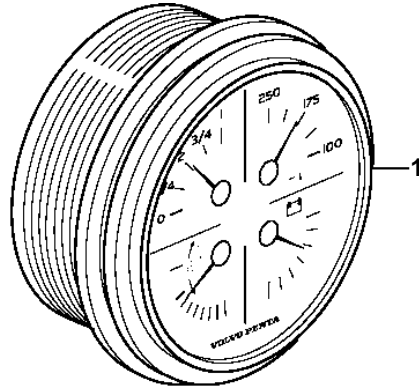
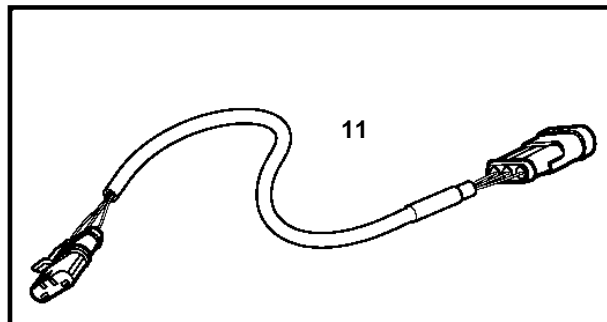
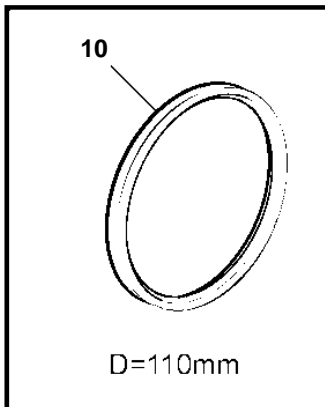
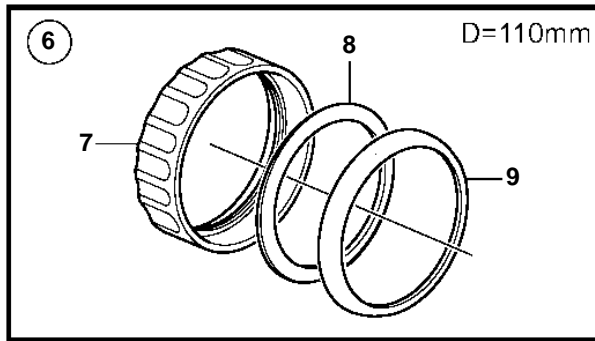
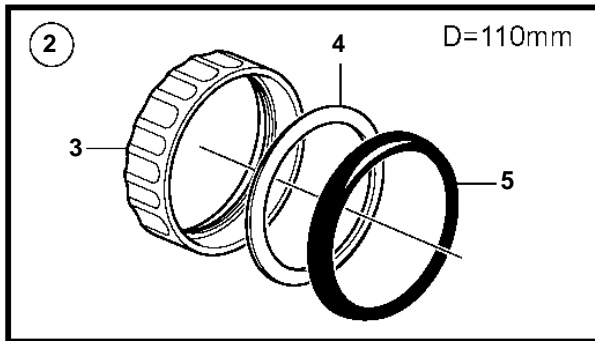


5.0GiCE-J, 5.0GiCE-JF, 5.0GXiCE-J, 5.0GXiCE-JF, 5.0GiCE-M, 5.0GiCE-MF, 5.0GXiCE-M, 5.0GXiCE-MF



D=110mm



5.0GiCE-J, 5.0GiCE-JF, 5.0GXICE-J, 5.0GXICE-JF, 5.0GiCE-M, 5.0GiCE-MF, 5.0GXICE-M, 5.0GXICE-MF

| REF | PART NO. | QTY | DESCRIPTION | SEE SEC. | NOTES |
|-----|----------|-----|-------------------------------------|-------------|--|
| 1 | 3885214 | 1 | Instrument · Bulletin P-36-9-3 | P-36-9-3-EN | Oil pressure, coolant temp, fuel level, volt meter, White New products in the EVC family |
| 1 | 3885215 | 1 | Instrument · Bulletin P-36-9-3 | P-36-9-3-EN | Trim (analog), coolant temp, fuel level, volt meter, White New products in the EVC family |
| 1 | 3847876 | 1 | Instrument · Bulletin P-36-9-3 | P-36-9-3-EN | Oil pressure, coolant temp, fuel level, volt meter, Black New products in the EVC family |
| 1 | 3847879 | 1 | Instrument · Bulletin P-36-9-3 | P-36-9-3-EN | Trim (analog), coolant temp, fuel level, volt meter, Black New products in the EVC family |
| 2 | 3847888 | 1 | Mounting kit · Bulletin P-36-9-3 | P-36-9-3-EN | Black New products in the EVC family |
| 3 | 3884098 | 1 | · Attaching ring | | |
| 4 | 3884103 | 1 | · Gasket | | |
| 5 | 3847887 | 1 | · Ring | | |
| 6 | 3885216 | 1 | Mounting kit · Bulletin P-36-9-3 | P-36-9-3-EN | Chrome New products in the EVC family |
| 7 | 3884098 | 1 | · Attaching ring | | |
| 8 | 3884103 | 1 | · Gasket | | |
| 9 | 3884096 | 1 | · Ring | | |
| 10 | 3886791 | 1 | X-ring · Bulletin P-36-9-3 | P-36-9-3-EN | For flush mounting. New products in the EVC family |
| 11 | 874759 | 1 | Extension cable'verl | | L=1000mm |
| | 3807043 | 1 | Extension cable'verl | | L=3000mm |