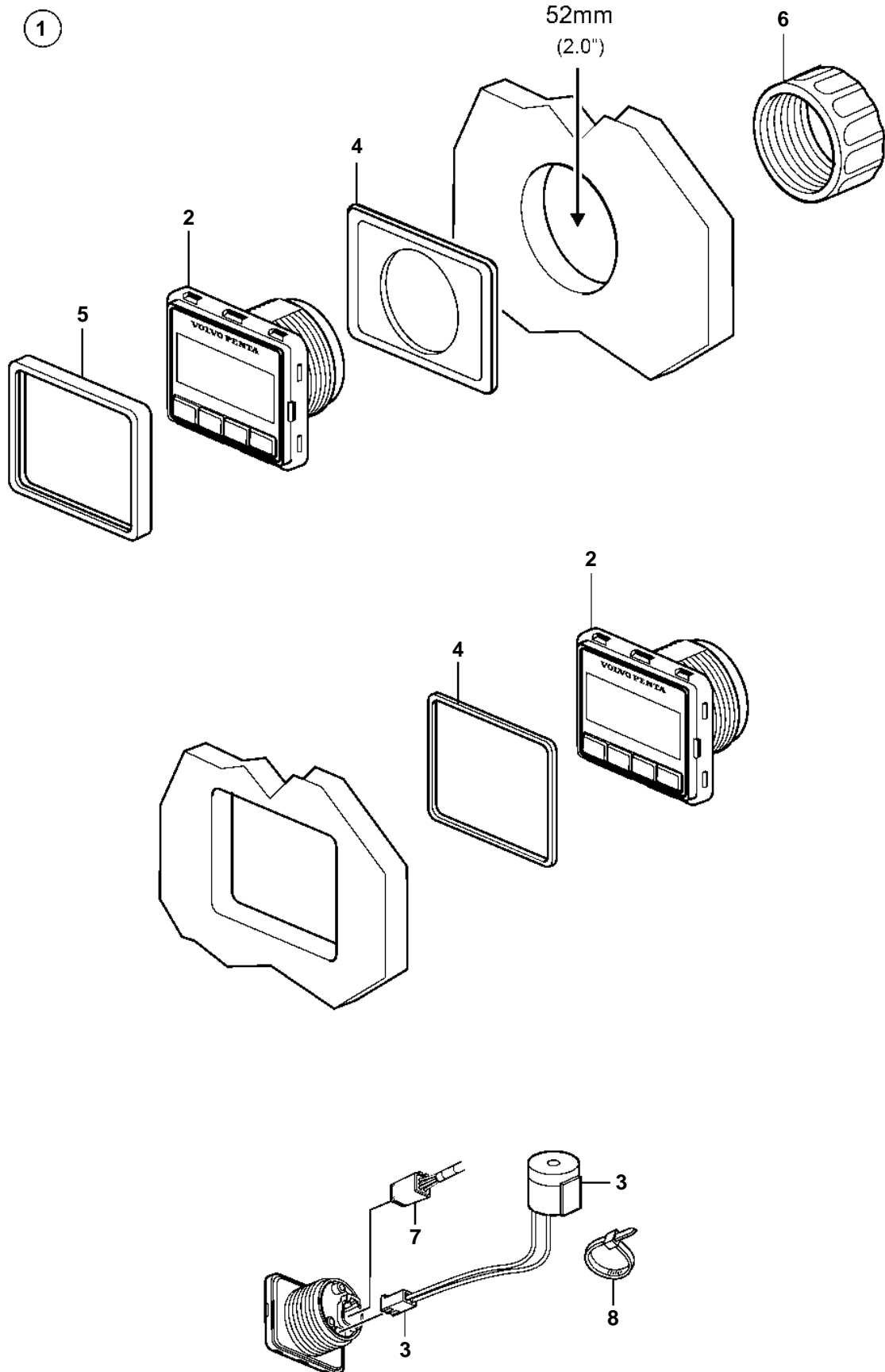


5.0GiCE-M, 5.0GiCE-MF, 5.0GXiCE-M, 5.0GXiCE-MF



5.0GiCE-M, 5.0GiCE-MF, 5.0GXiCE-M, 5.0GXiCE-MF

REF	PART NO.	QTY	DESCRIPTION
1	21352296	1	Display
2		1	· Display
3		1	· Buzzer
4	3808135	1	· Gasket
5	3808131	1	· Frame
6	874450	1	· Attaching ring
7		1	Cable, multilink
8	948211	1	Cable tie