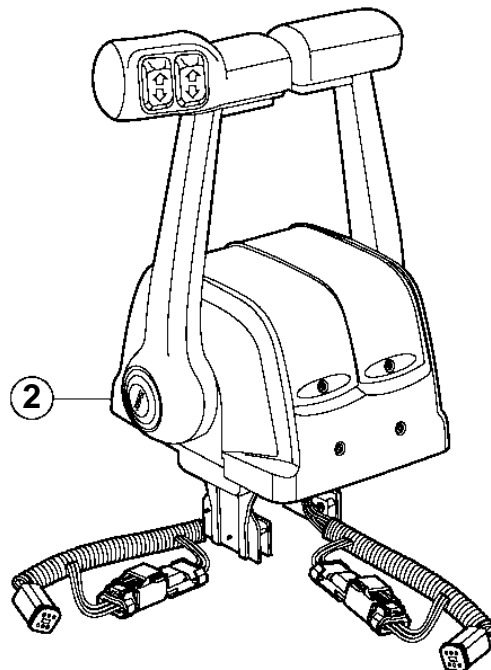
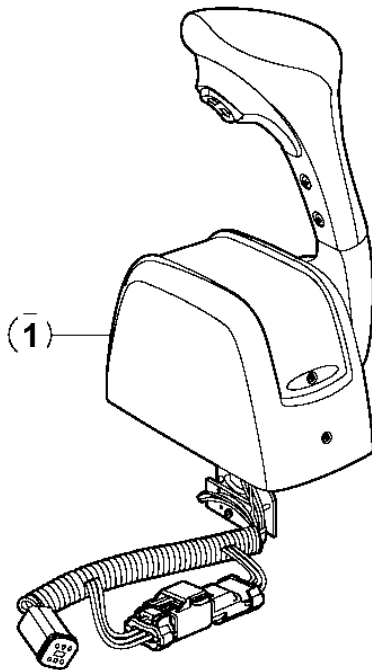


5.0GiCE-J, 5.0GiCE-JF, 5.0GXiCE-J, 5.0GXiCE-JF, 5.0GiCE-M, 5.0GiCE-MF, 5.0GXiCE-M, 5.0GXiCE-MF



24014

5.0GiCE-J, 5.0GiCE-JF, 5.0GXiCE-J, 5.0GXiCE-JF, 5.0GiCE-M, 5.0GiCE-MF, 5.0GXiCE-M, 5.0GXiCE-MF

REF	PART NO.	QTY	DESCRIPTION
1	3847395	1	Control lever
		1	• Parts not sold separately
2	3847396	1	Control lever
		1	• Parts not sold separately