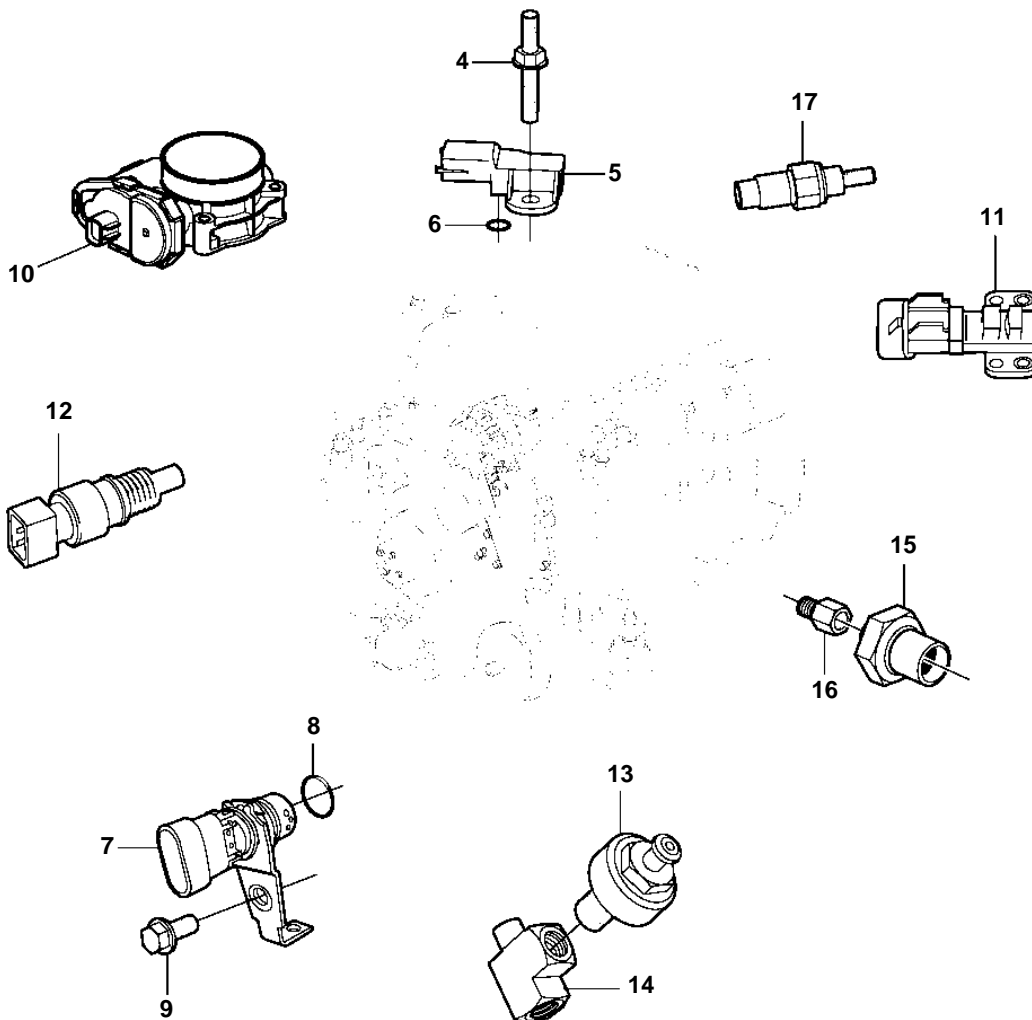
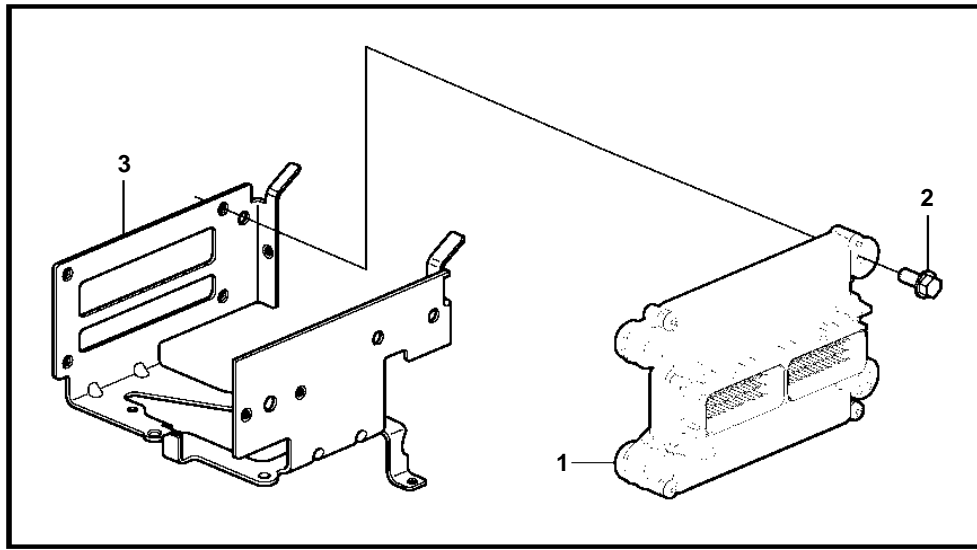


5.0GXIE-M, 5.0GXIE-MF



23996

5.0GXIE-M, 5.0GXIE-MF

| REF | PART NO. | QTY | DESCRIPTION | NOTES |
|-----|----------|-----|-----------------------------|--------------------------|
| 1 | 21367578 | 1 | Module | |
| 2 | 3843651 | 4 | Screw | |
| 3 | 3595367 | 1 | Bracket | |
| 4 | 3858973 | 1 | Bolt | |
| 5 | 3859020 | 1 | Sensor, MAT/MAP | |
| 6 | 3858988 | 1 | · Sealing | |
| 7 | 3858979 | 1 | Sensor, crankshaft position | |
| 8 | 3859009 | 1 | · O-ring | |
| 9 | 3858983 | 1 | Bolt | |
| 10 | | 1 | Throttle body | See "Throttle Body" page |
| | | 2 | · Sensor, throttle position | |
| | | 1 | · Switch, idle validation | |
| 11 | 3863130 | 1 | Sensor, camshaft position | |
| 12 | 3850397 | 1 | Switch, temperature | |
| 13 | 3850357 | 2 | Knock sensor | |
| 14 | 3849477 | 1 | Fitting | Starboard |
| | 3593571 | 1 | Fitting | Port |
| 15 | 3887328 | 1 | Sensor | |
| 16 | 3887970 | 1 | Fitting | |
| 17 | 3862500 | 2 | Temperature sensor | |