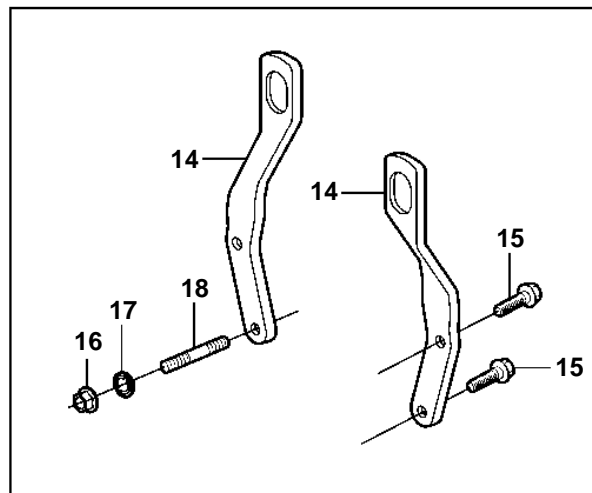
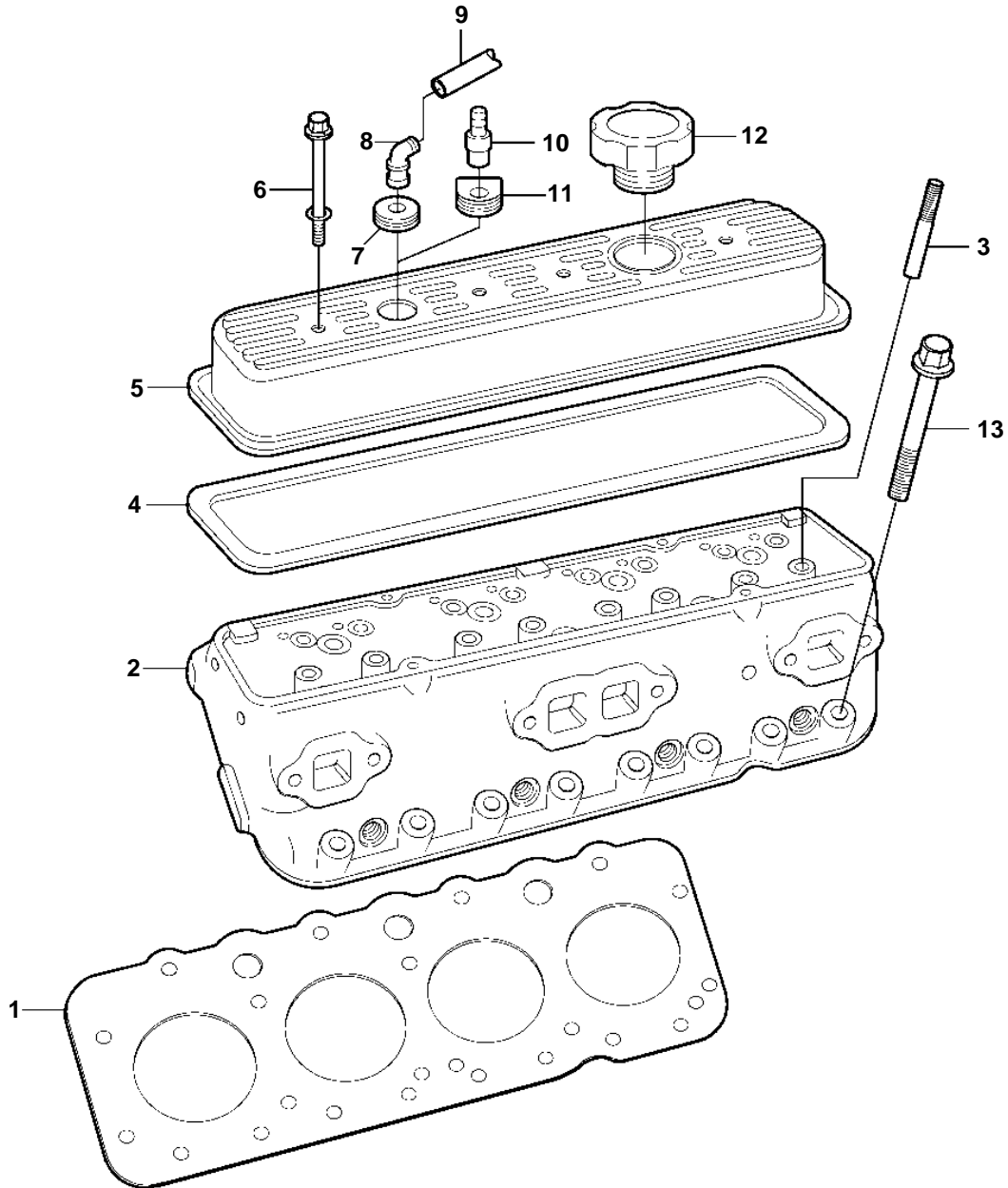


5.0GXIE-JF, 5.0GXIE-J, 5.0OSiE-JF, 5.0OSiE-J, 5.0GXIE-K, 5.0GXIE-KF, 5.0GXIE-M, 5.0GXIE-MF



19876

5.0GXIE-JF, 5.0GXIE-J, 5.0OSiE-JF, 5.0OSiE-J, 5.0GXIE-K, 5.0GXIE-KF, 5.0GXIE-M, 5.0GXIE-MF

| REF | PART NO. | QTY | DESCRIPTION          | NOTES                 |
|-----|----------|-----|----------------------|-----------------------|
| 1   | 3853380  | 2   | Cylinder head gasket |                       |
| 2   | 3857663  | 2   | Cylinder head        |                       |
| 3   |          | 16  | • Stud, rocker arm   | Part not sold         |
|     | 3853146  | 1   | Stud                 | O.S=.003" (0.076mm)   |
|     |          | 1   | Stud                 | O.S=.013" (0.330mm)   |
| 4   | 3852687  | 2   | Gasket               |                       |
| 5   | 3856928  | 1   | Valve cover          | Starboard             |
|     | 3856927  | 1   | Valve cover          | Port                  |
| 6   | 3856135  | 8   | Bolt                 |                       |
| 7   | 3852103  | 1   | Grommet              |                       |
| 8   | 3852104  | 1   | Elbow                |                       |
| 9   |          | 1   | Hose                 |                       |
| 10  | 3861989  | 1   | Hose                 | Crankcase ventilation |
| 11  | 3862296  | 1   | Grommet              |                       |
| 12  | 3854008  | 1   | Oil filler cap       |                       |
| 13  | 3856122  | 14  | Bolt                 | L=3 51/64" (96mm)     |
|     | 3856123  | 4   | Bolt                 | L=3 1/16" (78mm)      |
|     | 3856124  | 16  | Bolt                 | L=1.62" (41mm)        |
| 14  | 3862594  | 2   | Bracket              |                       |
| 15  |          | 2   | Screw                |                       |
| 16  | 3853404  | 2   | Nut                  |                       |
| 17  | 3860538  | 2   | Nut, speed           |                       |
| 18  | 3860928  | 2   | Stud                 |                       |