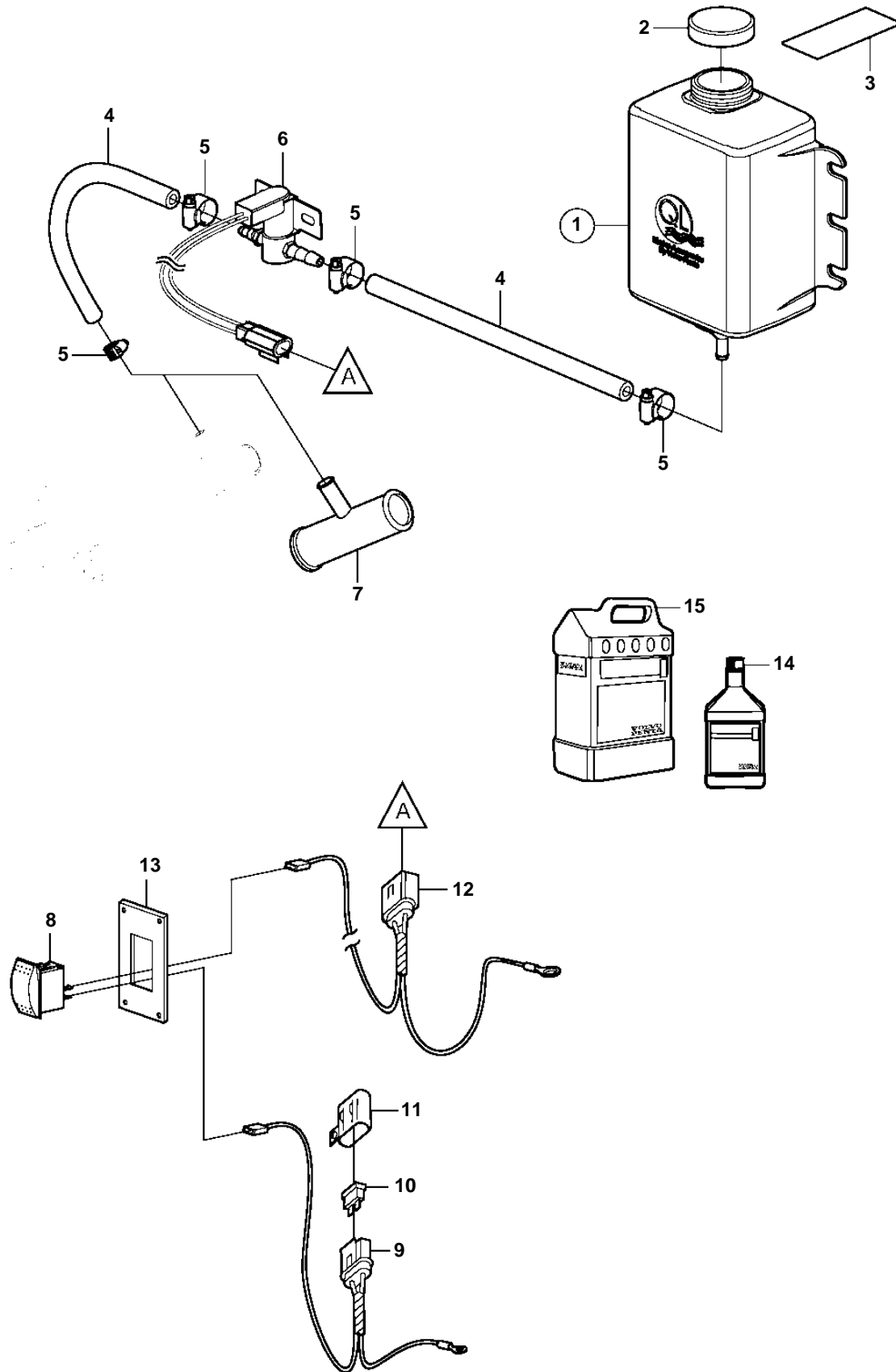


5.0GXIE-JF, 5.0GXIE-J, 5.0OSiE-JF, 5.0OSiE-J, 5.0GXIE-K, 5.0GXIE-KF, 5.0GXIE-M, 5.0GXIE-MF, 5.0GXIE-N



23330

5.0GXIE-JF, 5.0GXIE-J, 5.0OSIE-JF, 5.0OSIE-J, 5.0GXIE-K, 5.0GXIE-KF, 5.0GXIE-M, 5.0GXIE-MF, 5.0GXIE-N

REF	PART NO.	QTY	DESCRIPTION	NOTES
1	3808877	1	Reservoir	
2		1	• Cap	not sold separately
3	7741899	1	Decal	
4	3587529	1	Hose	Cut
5	3860413	4	Hose clamp	
6	3808911	1	Solenoid valve	
7	3589414	1	T-nipple	1"
	3589415	1	T-nipple	1.25"
8	3862491	1	Switch	
9	3862489	1	Wiring harness	
10	983966	1	• Fuse	
11	8072808	1	• Cover	
12	3862490	1	Wiring harness	
13	3862899	1	Switch plate	Black
	3862898	1	Switch plate	White
	3862900	1	Switch plate	Woodgrain
14	41103103	1	Neutralizing agent	1 Quart (946ml)
15	41103102	1	Neutralizing agent	1 Gallon (3,78L)