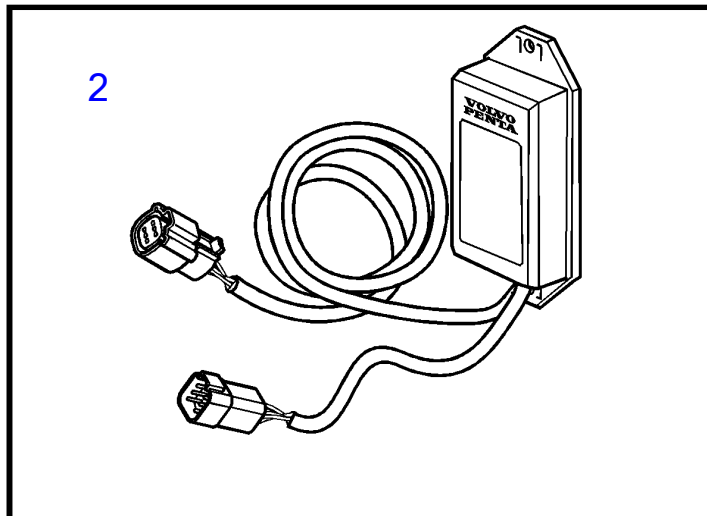
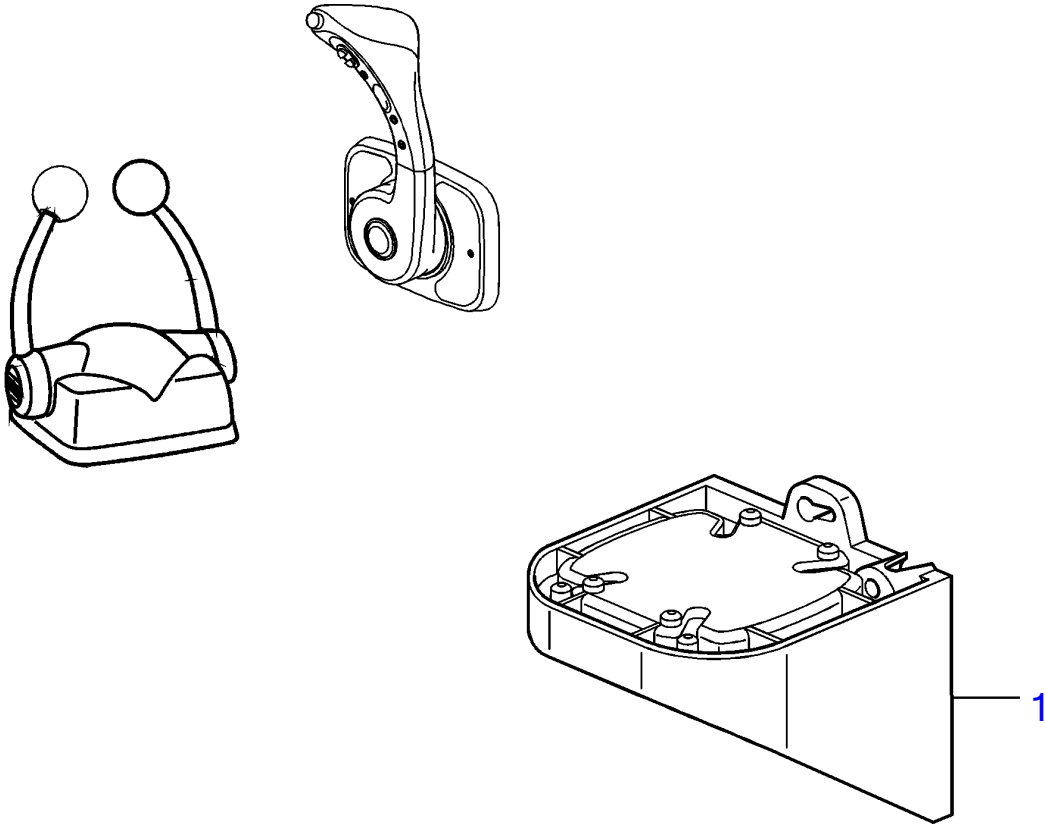


5.0GXIE-P



5.0GXIE-P

REF	PART NO.	QTY	DESCRIPTION	NOTES
1	21520222	1	Control unit	HCU, replaced by next part number
	21847518	1	Control unit	HCU
2	21460908	1	Converter	