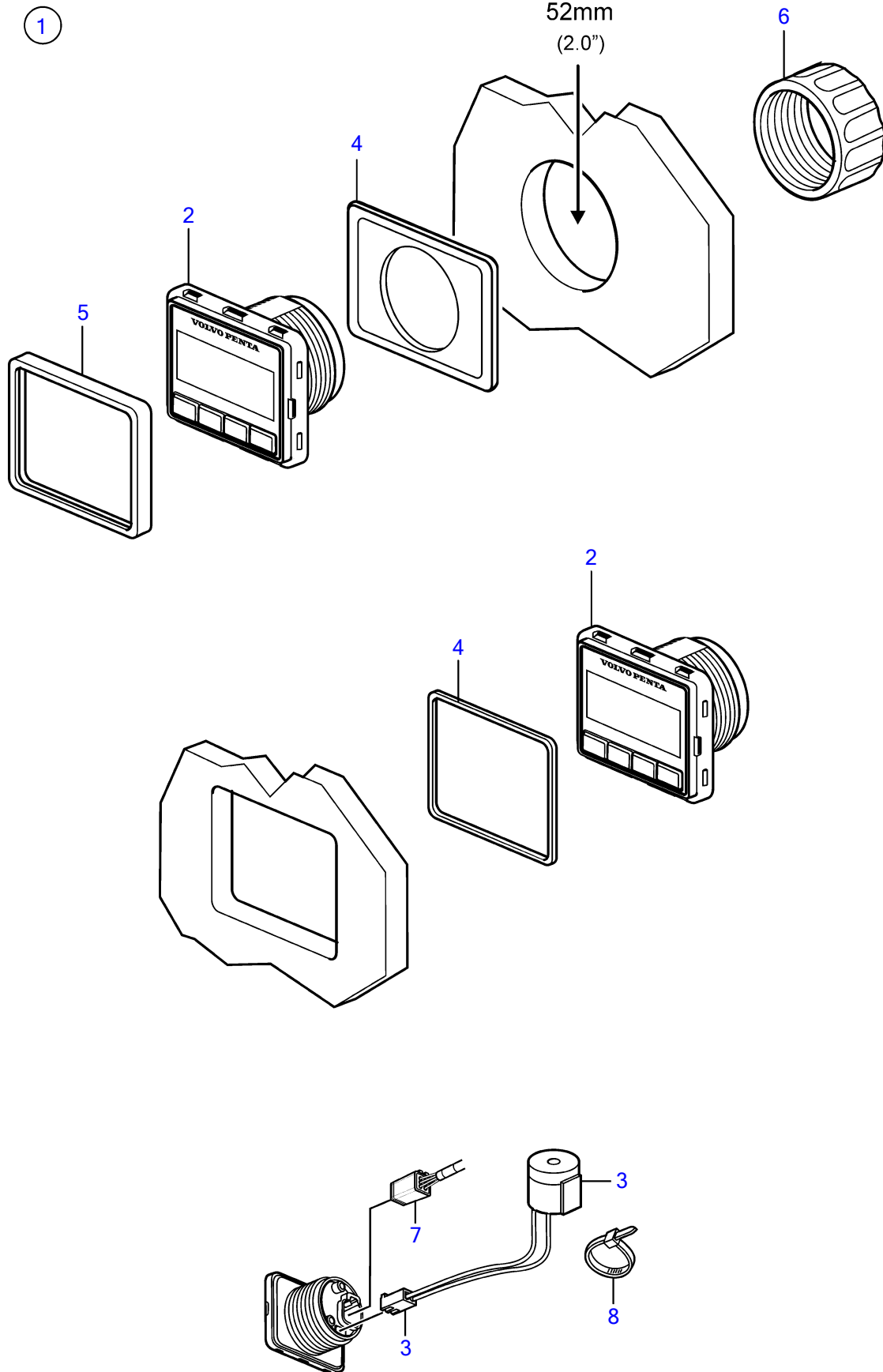


5.0GXICE-270-R, 5.0GiCE-225-S



5.0GXICE-270-R, 5.0GiCE-225-S

REF	PART NO.	QTY	DESCRIPTION
1	21761722		Display
	21761722		Display
2		1	• Display
3	21358227	1	• Buzzer
4	3808135	1	• Gasket
5	21467057	1	• Frame
6	874450	1	• Attaching ring
7		1	Cable, multilink
8	948211	1	Cable tie